

PrintPartner SERIES

FEEDER UNIT

PARTS CATALOGUE





This document is used for maintenance purpose only.  
The illustration of the part does not guarantee its availability.



**PrintPartner SERIES**  
**FEEDER UNIT**  
**PARTS CATALOGUE**

**FUJITSU LIMITED**  
**Communications and Electronics**  
**Tokyo, Japan**



<b>REVISION RECORD</b>		
<b>Edition</b>	<b>Date published</b>	<b>Revised contents</b>
01	November 1996	First issue
Specification No. C145-G018-01EN		

The contents of this manual may be revised without prior notice.

All Rights Reserved, Copyright © 1996 FUJITSU LIMITED. Printed in Japan.  
 No part of this manual may be reproduced in any form without permission.

Address your comments and inquiries on this manual to:

**FUJITSU COMPUTER PRODUCTS OF AMERICA, INC.**  
2904 Orchard Parkway, San Jose  
CA 95134-2022, U.S.A.  
TEL: (1-408) 432-6333  
FAX: (1-408) 894-1709

**FUJITSU CANADA INC.**  
2800 Matheson Boulevard East  
Mississauga, Ontario L4W 4X5, CANADA  
TEL: (1-905) 602-5454  
FAX: (1-905) 602-5457

**FUJITSU AUSTRALIA LIMITED**  
475 Victoria Avenue, Chatswood  
N.S.W., 2067, AUSTRALIA  
TEL: (61-2) 410-4555  
FAX: (61-2) 411-8603

**FUJITSU DEUTSCHLAND GmbH.**  
Frankfurter Ring 211  
80807, München, F.R. GERMANY  
TEL: (49-89) 32378-0  
FAX: (49-89) 32378-100

**FUJITSU ESPAÑA, S.A.**  
Almagro 40, 28009 Madrid, SPAIN  
TEL: (34-1) 581-8400  
FAX: (34-1) 581-8125

**FUJITSU EUROPE LTD.**  
2 Longwalk Road, Stockly Park, Uxbridge  
Middlesex UB11 1AB, ENGLAND  
TEL: (44-81) 573-4444  
FAX: (44-81) 573-2643

**FUJITSU FRANCE S.A.**  
1, place des Etats-Unis Silic 310  
94588 RUNGIS Cedex, FRANCE  
TEL: (33-1) 41-80-38-80  
FAX: (33-1) 41-80-38-66

**FUJITSU HONG KONG LIMITED**  
Room 2521, Sun Hung Kai Centre  
30 Harbour Road, HONG KONG  
TEL: (852) 827-5780  
FAX: (852) 827-4724

**FUJITSU ICIM LTD.**  
Nagar Road, Pune 411 014, INDIA  
TEL: (91-212) 681-528  
FAX: (91-212) 680-238

**FUJITSU ITALIA S.p.A.**  
Via Nazario Sauro, 38  
20099 Sesto S, Giovanni (MI), ITALY  
TEL: (39-2) 26294-1  
FAX: (39-2) 26294-201

**FUJITSU KOREA LTD.**  
9th Floor, Korean Reinsurance Bldg.  
80, Susong-Dong, Chongro-Gu  
Seoul Special City, Republic of KOREA  
TEL: (82-2) 739-3281  
FAX: (82-2) 739-3294

**FUJITSU NORDIC AB**  
Kung Hans Väg 12  
S-191 76 Sollentuna, SWEDEN  
TEL: (46-8) 626-6000  
FAX: (46-8) 626-6711

**FUJITSU (SINGAPORE) PTE. LTD.**  
75 Science Park Drive  
#02-06 CINTech II, SINGAPORE 0511  
TEL: (65) 777-6577  
FAX: (65) 777-8794

**FUJITSU SYSTEMS BUSINESS (MALAYSIA) SDN. BHD.**  
Fujitsu Plaza, 1A, Jalan Tandang 204  
P.O. Box 636 Pejabat Pos Jalan Sultan  
46770 Petaling Jaya  
Selangor Darul Ehsan, MALAYSIA  
TEL: (60-3) 793-3888  
FAX: (60-3) 793-0888

**FUJITSU SYSTEMS BUSINESS (THAILAND) LTD.**  
12th Floor, Olympia Thai Tower  
444 Rachadapisek Road, Samsennok  
Huaykwang, Bangkok 10310, THAILAND  
TEL: (662) 512-6066  
FAX: (662) 512-6068

**FUJITSU TAIWAN LTD.**  
8th FL., NO. 170, Hung Tai Center  
Tun Hwa N. RD., Taipei, TAIWAN, R.O.C.  
TEL: (886-2) 545-7700  
FAX: (886-2) 717-4644

**FUJITSU LIMITED**  
Computer Products Business Group  
Kamikodanaka 4-1-1, Nakahara-ku  
Kawasaki-shi 211, JAPAN  
TEL: (81-44) 754-8633  
FAX: (81-44) 754-8510

**This is parts catalogue for PrintPartner Series feeder unit.**

**This manual is for service engineers.**

**There are several models of PrintPartner Series feeder unit.**

**This manual covers all models.**

**This manual consists of two parts: Parts List and Parts Drawings.**

**Parts list has layer structure. You can find assembly levels.**

**Parts drawing does not have the layer structure.**

**You can see the model difference from the parts list easily.**

**There are other manuals for service engineers as follows.**

**PrintPartner Series Page Printer Maintenance Manual**

**PrintPartner Series Page Printer Schematic Diagrams**

**PrintPartner Series Page Printer User's Manual**

**PrintPartner Series Page Printer Product Description**



## CONTENTS

<b>1. HOW TO REFER TO THIS MANUAL .....</b>	<b>1-1</b>
<b>2. SPECIFICATIONS .....</b>	<b>2-1</b>
<b>3. PARTS LIST AND PARTS DRAWING OF FEEDER UNIT .....</b>	<b>3-1</b>
3.1 FEEDER UNIT for PRINTPARTNER SERIES .....	3-1
3.2 FEEDER UNIT for PRINT PARTNER SERIES (FEEDER UNIT) .....	3-3
3.3 FEEDER UNIT for PRINT PARTNER SERIES (FEEDER SUB ASY) .....	3-5
3.4 FEEDER UNIT for PRINT PARTNER SERIES (PAPER TRAY) .....	3-7

# 1. HOW TO REFER TO THIS MANUAL

Example:

Index No.	Composition & Quantity <sup>②</sup>				S P	Specification	Parts name (Description)	Remarks
1 ~ 24	1					CA02758-F750	FEEDER UNIT	
① 1		1				CA02758-G750	FEEDER SUB ASY	
③ 2 ~ 5			1			CA02758-G781	RR ASY	
2				1	④	CA02758-Y781	RR FRAME	
3				2	④	CA02758-Y782	R SHAFT	
4				1	④	CA02758-Y783	BEARING R2	
5				2	④	CA02758-Y784	SPRING R2	
6		2			④	CA02758-0198	TAPPING SCREW	
7 ~ 12		1				CA02758-G791	PR ASY	
7				1	④	CA02758-Y791	PR BRACKET	
8				1	④	CA02758-G794	SHAFT P2 ASY	
9				1	④	CA02758-0793	PICK GEAR 2	
10				1	⑤*	CA02758-G600	ROLLER P ASY <sup>⑥</sup>	
11				2	④	CA02758-Y792	BEARING PF2	
12				1	④	CA02758-Y793	PROTECT SHEET	
13		2			④	CA02758-0198	TAPPING SCREW	

- ① This figure shows the index number of the part in the drawing.
- ② These columns show the construction levels. A higher level part consists of the following lower level parts listed until the quantity of the next part appears at the same level. See example ③.
- ③ m-n shows an assembly or unit consisting of more than one part.
- ④ These parts are at the same level and belong to the same upper level part.
- ⑤ Parts with an asterisk (\*) are recommended spair parts.
- ⑥ The Roller P assembly is the part name of item number 10.
- ⑦ Parts with an at (@) can be bought.  
Part with no marks cannot be bought.
- \* The Roller P assembly is a recommended spare part.

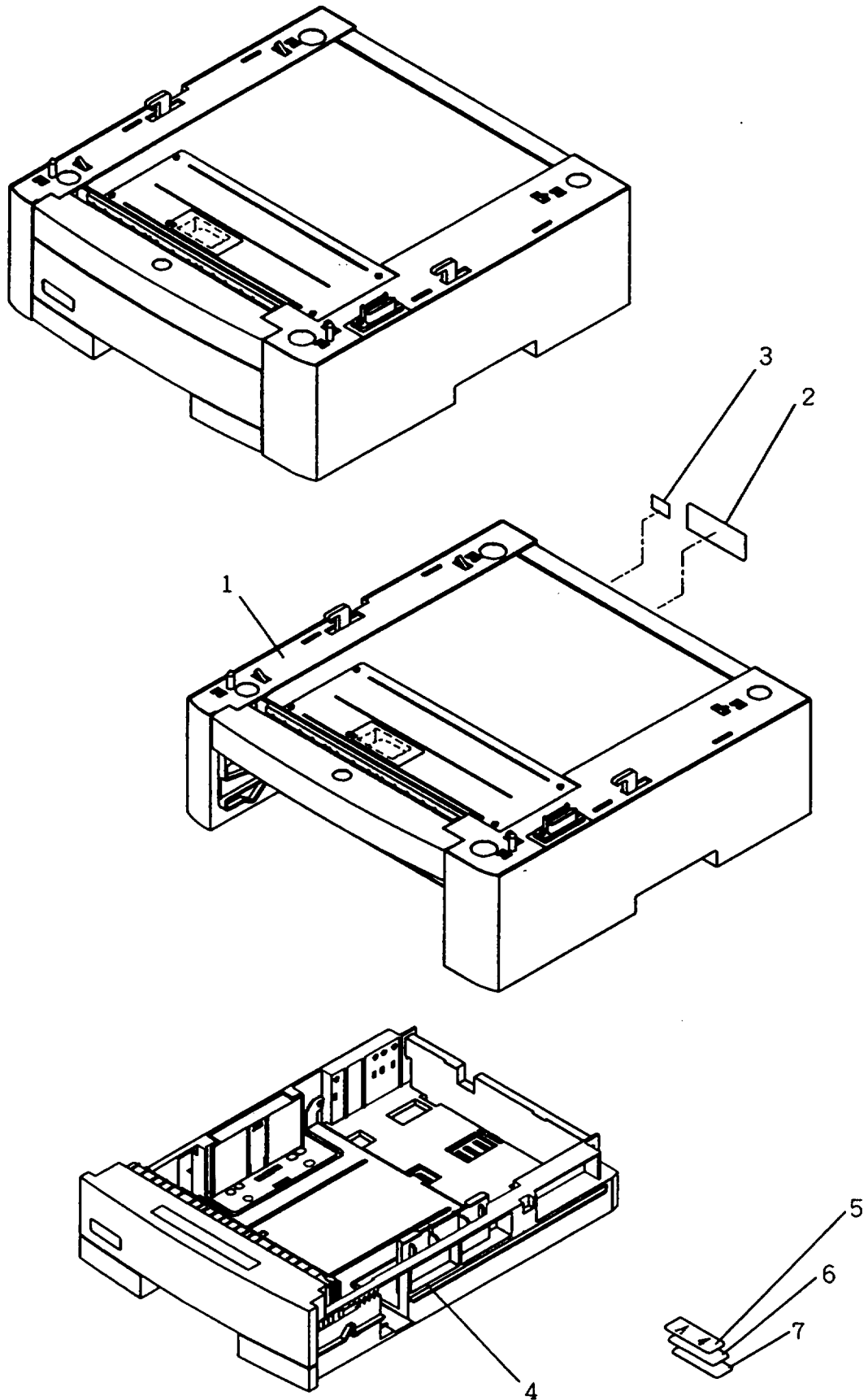
## 2. SPECIFICATIONS

The table below lists standard models of the PrintPartner Series feeder unit.

No.	Specifications	Remarks
1	CA02758-C750	For FCPA, UL mark, and U. S. only (No paper tray)
2	CA02758-C751	For FCI, CSA mark, and Canada only (No paper tray)
3	CA02758-C752	Countries other than the two ones above (No paper tray)
4	CA02758-C755	For FCPA, UL mark, and U> S. only (Paper tray <Letter>)
5	CA02758-C756	For FCI, CSA mark, and Canada only (Paper tray <Letter>)
6	CA02758-C757	Countries other than the two ones above (Paper tray <A4>)
7		
8		
9		
10		
11		
12		

### 3. PARTS LIST AND PARTS DRAWING OF FEEDER UNIT

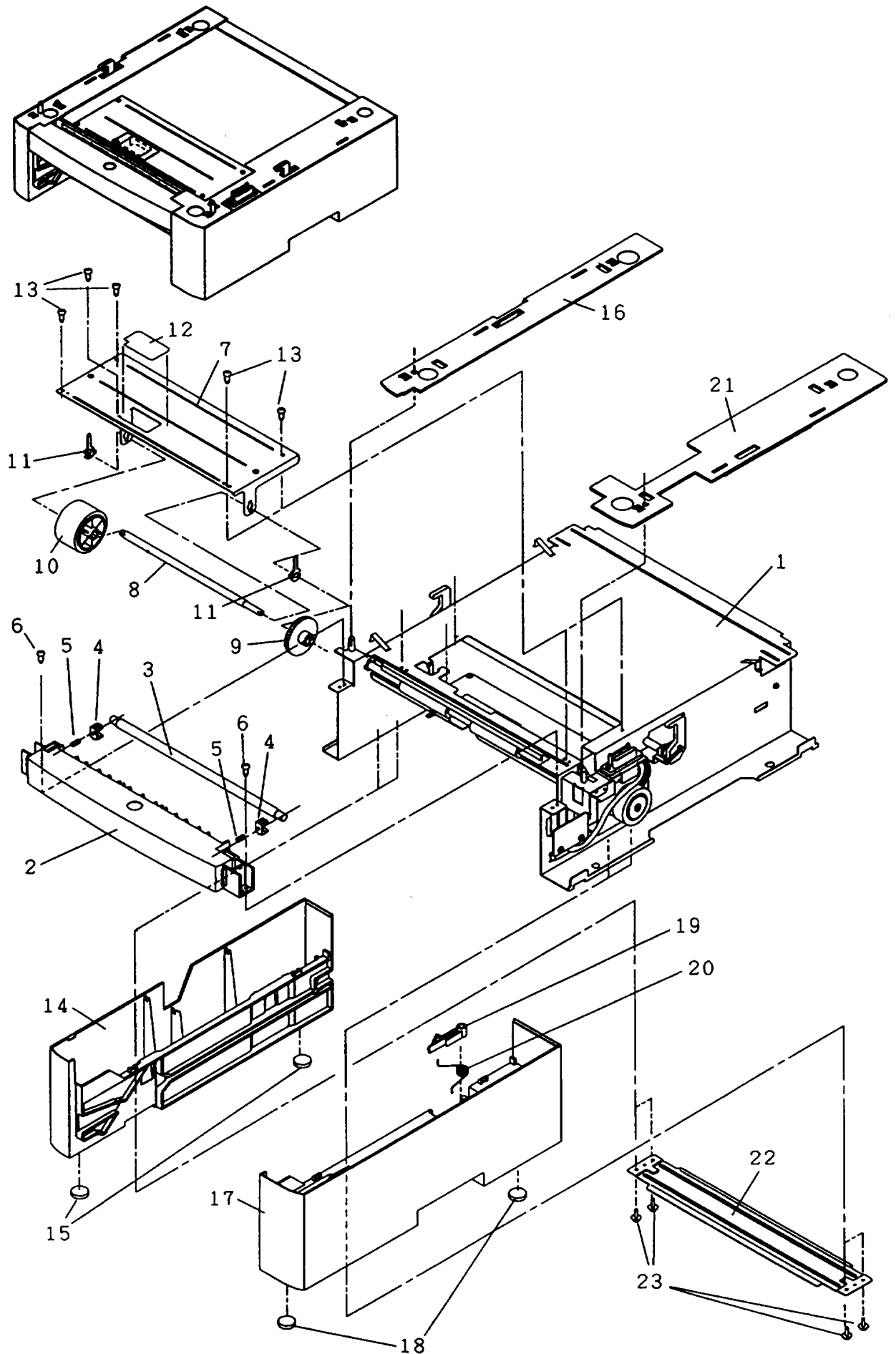
#### 3.1 FEEDER UNIT for PRINTPARTNER SERIES



### 3.1 FEEDER UNIT for PRINTPARTNER SERIES

Index No.	Composition & Quantity				S P	Specification	Parts name (Description)	Remarks
1 ~ 3	1					CA02758-C750	FEEDER UNIT (without paper tray)	CE MARK UL(FOR FCPA) CSA(FOR FC1)
	1					CA02758-C751	FEEDER UNIT (without paper tray)	
	1					CA02758-C752	FEEDER UNIT (without paper tray)	
1 ~ 7	1					CA02758-C755	FEEDER UNIT (with paper tray A4)	CE MARK UL(FOR FCPA) CSA(FOR FC1)
	1					CA02758-C756	FEEDER UNIT (with paper tray LETTER)	
	1					CA02758-C757	FEEDER UNIT (with paper tray LETTER)	
1	1					CA02758-F750	FEEDER UNIT	(C750, C755)
2	1				———	LABEL		
3	1				———	CE MARK LABEL		
4	1					CA02758-F731	PAPER TRAY (A4)	(C755)
4	1					CA02758-F732	PAPER TRAY (LETTER)	(C756, C757)
5	1				Ⓢ	CA02417-Y720	SIZE LABEL (A4)	
6	1				Ⓢ	CA02417-Y724	SIZE LABEL (LETTER)	
7	1				Ⓢ	CA02417-Y725	SIZE LABEL (EXECUTIVE)	

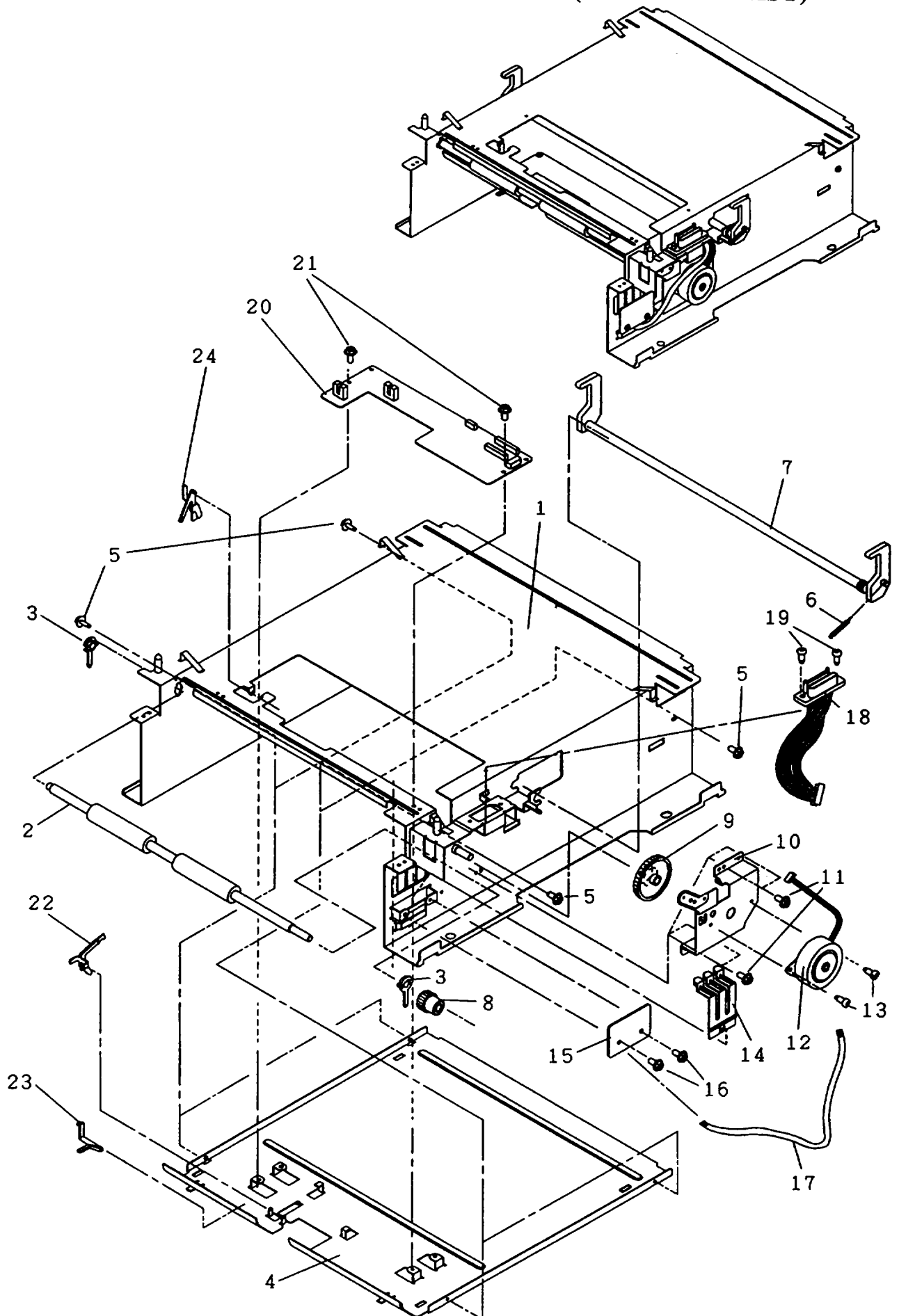
### 3.2 FEEDER UNIT for PRINTPARTNER SERIES (FEEDER UNIT)



### 3.2 FEEDER UNIT for PRINTPARTNER SERIES (FEEDER UNIT)

Index No.	Composition & Quantity				S P	Specification	Parts name (Description)	Remarks
1 ~24	1					CA02758-F750	FEEDER UNIT	
1		1				CA02758-G750	FEEDER SUB ASY	
2 ~ 5		1				CA02758-G781	RR ASY	
2			1		Ⓞ	CA02758-Y781	RR FRAME	
3			1		Ⓞ	CA02758-Y782	R SHAFT	
4			2		Ⓞ	CA02758-Y783	BEARING R2	
5			2		Ⓞ	CA02758-Y784	SPRING R2	
6		2			Ⓞ	CA02758-0198	TAPPING SCREW	
7 ~12		1				CA02758-G791	PR ASY	
7			1		Ⓞ	CA02758-Y791	PR BRACKET	
8			1		Ⓞ	CA02758-G794	SHAFT P2 ASY	
9			1		Ⓞ	CA02758-0793	PICK GEAR 2	
10			1		*	CA02758-G600	ROLLER P ASY	
11			2		Ⓞ	CA02758-Y792	BEARING PF2	
12			1		Ⓞ	CA02758-Y793	PROTECT SHEET	
13		2			Ⓞ	CA02758-0198	TAPPING SCREW	
14 ~15		1				CA02758-G841	PT GUIDE L2 ASY	
14			1		Ⓞ	CA02758-Y841	PT GUIDE L2	
15			2		Ⓞ	CA02758-Y825	RUBBER FOOT	
16		1			Ⓞ	CA02758-Y843	COVER L2	
17 ~20		1				CA02758-G841	PT GUIDE R2 ASY	
17			1		Ⓞ	CA02758-Y841	PT GUIDE R2	
18			2		Ⓞ	CA02758-Y825	RUBBER FOOT	
19			1		Ⓞ	CA02758-Y727	PT LOCK LEVER	
20			1		Ⓞ	CA02758-Y728	PT LOCK SPRING	
21			1		Ⓞ	CA02758-Y843	COVER R2	
22		1			Ⓞ	CA02758-Y767	RF PLATE	
23		4			Ⓞ	CA02758-0195	TAPPING SCREW	

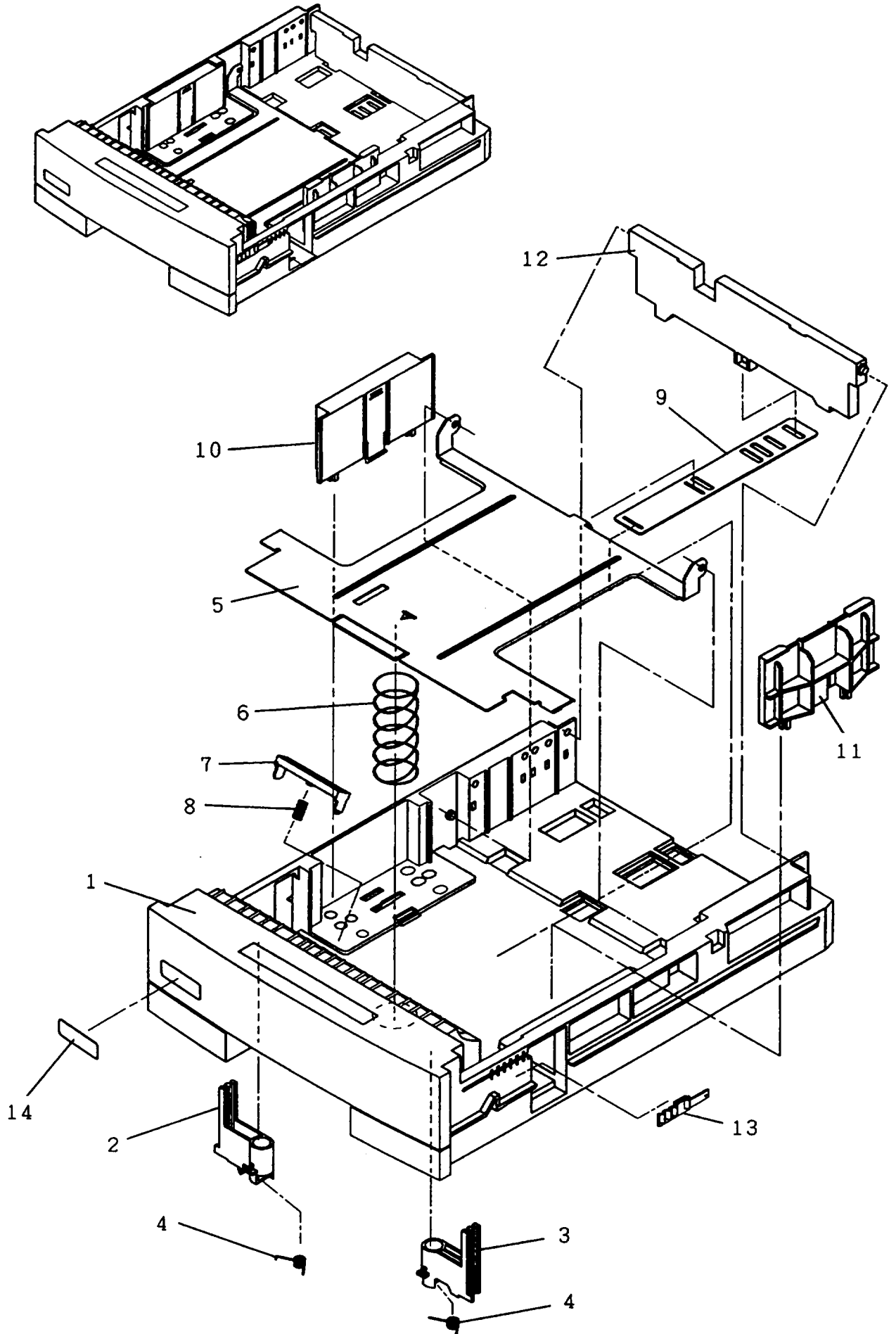
### 3.3 FEEDER UNIT for PRINTPARTNER SERIES (FEEDER SUB ASY)



### 3.3 FEEDER UNIT for PRINTPARTNER SERIES (FEEDER SUB ASY)

Index No.	Composition & Quantity				S P	Specification	Parts name (Description)	Remarks
1 ~24			1			CA02758-G750	FEEDER SUB ASY	
1			1			CA02758-F751	MAIN FRAME ASY	
2			1		⊗	CA02758-G758	SHAFT F ASY	
3			2		⊗	CA02758-Y792	BEARING PF2	
4			1			CA02758-Y770	INSIDE F-GUIDE	
5			4			CA02758-0196	TAPPING SCREW	
6			1		⊗	CA02758-Y763	LOCK SPRING	
7			1		⊗	CA02417-Y764	LOCK LEVER	
8			1		⊗	CA02758-0772	GEAR F	
9			1		⊗	CA02758-Y773	GEAR	
10			1		⊗	CA02758-G760	PM2 BRACKET ASY	
11			4		⊗	CA02758-0195	TAPPING SCREW	
12			1		*	CA02758-G201	MOTOR ASY	
13			2		⊗	CA02758-0198	TAPPING SCREW	
14			1		⊗	CA02758-Y762	TRIDENT LEVER 2	
15			1		*	CA20242-B92X	ST95BA(SENSER BOAD)	
16			2		⊗	CA02758-0195	TAPPING SCREW	
17			1		⊗	CA02758-Y164	CABLE	
18			1		⊗	CA02758-F798	2ND CABLE	
19			2		⊗	CA02758-0199	TAPPING SCREW	
20			1		*	CA20242-B91X	ST95AA(DRIVER BOARD)	
21			2		⊗	CA02758-0195	TAPPING SCREW	
22			1		⊗	CA02758-Y766	SENSER LEVER FP	
23			1		⊗	CA02758-Y767	SENSER LEVER FE	
24			1		⊗	CA02758-Y652	SENSER LEVER 2	

### 3.4 FEEDER UNIT for PRINTPARTNER SERIES (PAPER TRAY)



### 3.4 FEEDER UNIT for PRINTPARTNER SERIES (PAPER TRAY)

Index No.	Composition & Quantity				S P	Specification	Parts name (Description)	Remarks
1 ~14	1					CA02758-F731	PAPER TRAY	
1 ~ 9		1			@	CA02758-G731	PT SUB ASY	
1			1			CA02758-Y731	PAPER TRAY	
2			1		@	CA02758-Y746	PLATE HOLDER L2	
3			1		@	CA02758-Y747	PLATE HOLDER R2	
4			2		@	CA02758-Y718	PH SPRING	
5			1		@	CA02758-G744	2ND P-PLATE ASY	
6			1		@	CA02758-Y737	PP SPRING 6	
7			1		*	CA04040-G730	SEPARATOR ASY	
8			1		@	CA02417-Y708	SPRING	
9			1			CA02758-Y748	PLATE E	
10		1			@	CA02758-Y741	GUIDE L2	
11		1			@	CA02758-G742	GUIDE R2 ASY	
12		1			@	CA02758-Y743	GUIDE E2	
13		1			@	CA02758-Y719	P-SIZE LEVER	
14		1			@	CA02417-Y720	SIZE LABEL	





**FUJITSU**