

PrintPartner 14AV
PAGE PRINTER
PARTS CATALOGUE



This document is used for maintenance purpose only.
The illustration of the part does not guarantee its availability.

PrintPartner 14AV
PAGE PRINTER
PARTS CATALOGUE

FUJITSU LIMITED
Communications and Electronics
Tokyo, Japan

REVISION RECORD		
Edition	Date published	Revised contents
01	November 1996	First issue
02	January 1997	Page 1-1: Footnotes corrected
Specification No. C145-G017-02EN		

The contents of this manual may be revised without prior notice.

All Rights Reserved, Copyright © 1996, 1997 FUJITSU LIMITED. Printed in Japan.
 No part of this manual may be reproduced in any form without permission.

Address your comments and inquiries on this manual to:

FUJITSU COMPUTER PRODUCTS OF AMERICA, INC.
2904 Orchard Parkway, San Jose
CA 95134-2022, U.S.A.
TEL: (1-408) 432-6333
FAX: (1-408) 894-1709

FUJITSU CANADA INC.
2800 Matheson Boulevard East
Mississauga, Ontario L4W 4X5, CANADA
TEL: (1-905) 602-5454
FAX: (1-905) 602-5457

FUJITSU AUSTRALIA LIMITED
475 Victoria Avenue, Chatswood
N.S.W., 2067, AUSTRALIA
TEL: (61-2) 410-4555
FAX: (61-2) 411-8603

FUJITSU DEUTSCHLAND GmbH.
Frankfurter Ring 211
80807, München, F.R. GERMANY
TEL: (49-89) 32378-0
FAX: (49-89) 32378-100

FUJITSU ESPAÑA, S.A.
Almagro 40, 28009 Madrid, SPAIN
TEL: (34-1) 581-8400
FAX: (34-1) 581-8125

FUJITSU EUROPE LTD.
2 Longwalk Road, Stockly Park, Uxbridge
Middlesex UB11 1AB, ENGLAND
TEL: (44-81) 573-4444
FAX: (44-81) 573-2643

FUJITSU FRANCE S.A.
1, place des Etats-Unis Silic 310
94588 RUNGIS Cedex, FRANCE
TEL: (33-1) 41-80-38-80
FAX: (33-1) 41-80-38-66

FUJITSU HONG KONG LIMITED
Room 2521, Sun Hung Kai Centre
30 Harbour Road, HONG KONG
TEL: (852) 827-5780
FAX: (852) 827-4724

FUJITSU ICIM LTD.
Nagar Road, Pune 411 014, INDIA
TEL: (91-212) 681-528
FAX: (91-212) 680-238

FUJITSU ITALIA S.p.A.
Via Nazario Sauro, 38
20099 Sesto S, Giovanni (MI), ITALY
TEL: (39-2) 26294-1
FAX: (39-2) 26294-201

FUJITSU KOREA LTD.
9th Floor, Korean Reinsurance Bldg.
80, Susong-Dong, Chongro-Gu
Seoul Special City, Republic of KOREA
TEL: (82-2) 739-3281
FAX: (82-2) 739-3294

FUJITSU NORDIC AB
Kung Hans Väg 12
S-191 76 Sollentuna, SWEDEN
TEL: (46-8) 626-6000
FAX: (46-8) 626-6711

FUJITSU (SINGAPORE) PTE. LTD.
75 Science Park Drive
#02-06 CINTech II, SINGAPORE 0511
TEL: (65) 777-6577
FAX: (65) 777-8794

FUJITSU SYSTEMS BUSINESS (MALAYSIA) SDN. BHD.
Fujitsu Plaza, 1A, Jalan Tandang 204
P.O. Box 636 Pejabat Pos Jalan Sultan
46770 Petaling Jaya
Selangor Darul Ehsan, MALAYSIA
TEL: (60-3) 793-3888
FAX: (60-3) 793-0888

FUJITSU SYSTEMS BUSINESS (THAILAND) LTD.
12th Floor, Olympia Thai Tower
444 Rachadapisek Road, Samsennok
Huaykwang, Bangkok 10310, THAILAND
TEL: (662) 512-6066
FAX: (662) 512-6068

FUJITSU TAIWAN LTD.
8th FL., NO. 170, Hung Tai Center
Tun Hwa N. RD., Taipei, TAIWAN, R.O.C.
TEL: (886-2) 545-7700
FAX: (886-2) 717-4644

FUJITSU LIMITED
Computer Products Business Group
Kamikodanaka 4-1-1, Nakahara-ku
Kawasaki-shi 211, JAPAN
TEL: (81-44) 754-8633
FAX: (81-44) 754-8510

This is parts catalogue for PrintPartner 14AV Page Printer.

This manual is for service engineers.

There are several models of PrintPartner 14AV Page Printer.

This manual covers all models.

This manual consists of two parts: Parts List and Parts Drawings.

Parts list has layer structure. You can find assembly levels.

Parts drawing does not have the layer structure.

You can see the model difference from the parts list easily.

There are other manuals for service engineers as follows.

Especially the maintenance manual has close relationship to this manual.

PrintPartner 14AV Page Printer Maintenance Manual

PrintPartner 14AV Page Printer Schematic Diagrams

PrintPartner 14AV Page Printer User's Manual

PrintPartner 14AV Page Printer Product Description

CONTENTS

1. HOW TO REFER TO THIS MANUAL	1-1
2. SPECIFICATIONS	2-1
3. PARTS LIST AND PARTS DRAWING OF PRINTER MECHANISM.....	3-1
3.1 Visual Index of Parts	3-1
3.2 Upper Cover	3-2
3.3 Printer	3-4
3.4 Printer Mecha Unit 1	3-6
3.5 Printer Mecha Unit 2	3-8
3.6 Base Frame	3-12
3.7 Laser Diode Stay	3-14
3.8 Power Unit	3-16
3.9 Heat Roller Unit	3-18
3.10 Paper Tray	3-20
3.11 Print Unit	3-22

1. HOW TO REFER TO THIS MANUAL

Example:

Index No.	Composition Quantity ^②				S P	Specification	Parts name (Description) ^⑦	PP14AV		Remarks
								120	220	
	1					CA0404-B300	PP14AV (CENTRO-120V)	○		N-AMERICA
	1					CA0404-B311	" (CENTRO-120V)	○		FCI
	1					CA0404-B321	" (CENTRO-120V)	○		FCPA
	1					CA0404-B331	" (CENTRO-120V)	○		ASIA
	1					CA0404-B350	" (CENTRO-220~240V)		○	EUROPE
	1					CA0404-B361	" (CENTRO-220~240V)		○	FAL
	1					CA0404-B371	" (CENTRO-220~240V)		○	ASIA
	1					CA0404-B381	" (CENTRO-220~240V)		○	EUROPE
	1					CA0404-B391	" (CENTRO-220~240V)		○	NO-BRAND
	1					CA0404-B396	" (CENTRO-220~240V)		○	EUROPE
	③ 1~8		1			CA0404-F550	UPPER COVER ASY ^⑥	○	○	
	① 1~5			1		CA0404-G550	U COVER SUB ASY	○	○	
	① 1			1		CA0404-G585	COVER SUB ASY	○	○	
	① 2			1		CA02758-Y803	UPPER DOOR	○	○	
	① 3			1		CA02758-Y805	UD GUIDE L	○	○	
	① 4			1		CA02758-Y806	UD GUIDE R	○	○	
	① 5			1		CA02758-Y807	UD GUIDE LL	○	○	
	① 6		1			CA0404-0574	OP PANEL	○	○	
	① 7		1			CA0404-Y564	OP CABLE	○	○	
	① 8		1			CA0404-Y573	VOLUME CABLE	○	○	
	① 9		3			F6-SBD3-06121	SCREW	○	○	

- ① This figure shows the index number of the part in the drawing.
 - ② These columns show the construction levels. A higher level part consists of the following lower level parts listed until the quantity of the next part appears at the same level. See example ③.
 - ③ m~n shows an assembly or unit consisting of more than one part. The upper cover subassembly consists of a cover subassembly, an upper door, and guides.
 - ④ These parts are at the same level and belong to the same upper level part.
 - ⑤ Parts with an asterisk (*) are recommended spare parts.
 - ⑥ The upper cover assembly is the part name of item numbers 1 to 5.
 - ⑦ PP14AV stands for PrintPartner 14AV.
 - ⑧ Part with an at (@) can be purchased.
- * The upper cover assembly is a recommended spare part.

2. SPECIFICATONS

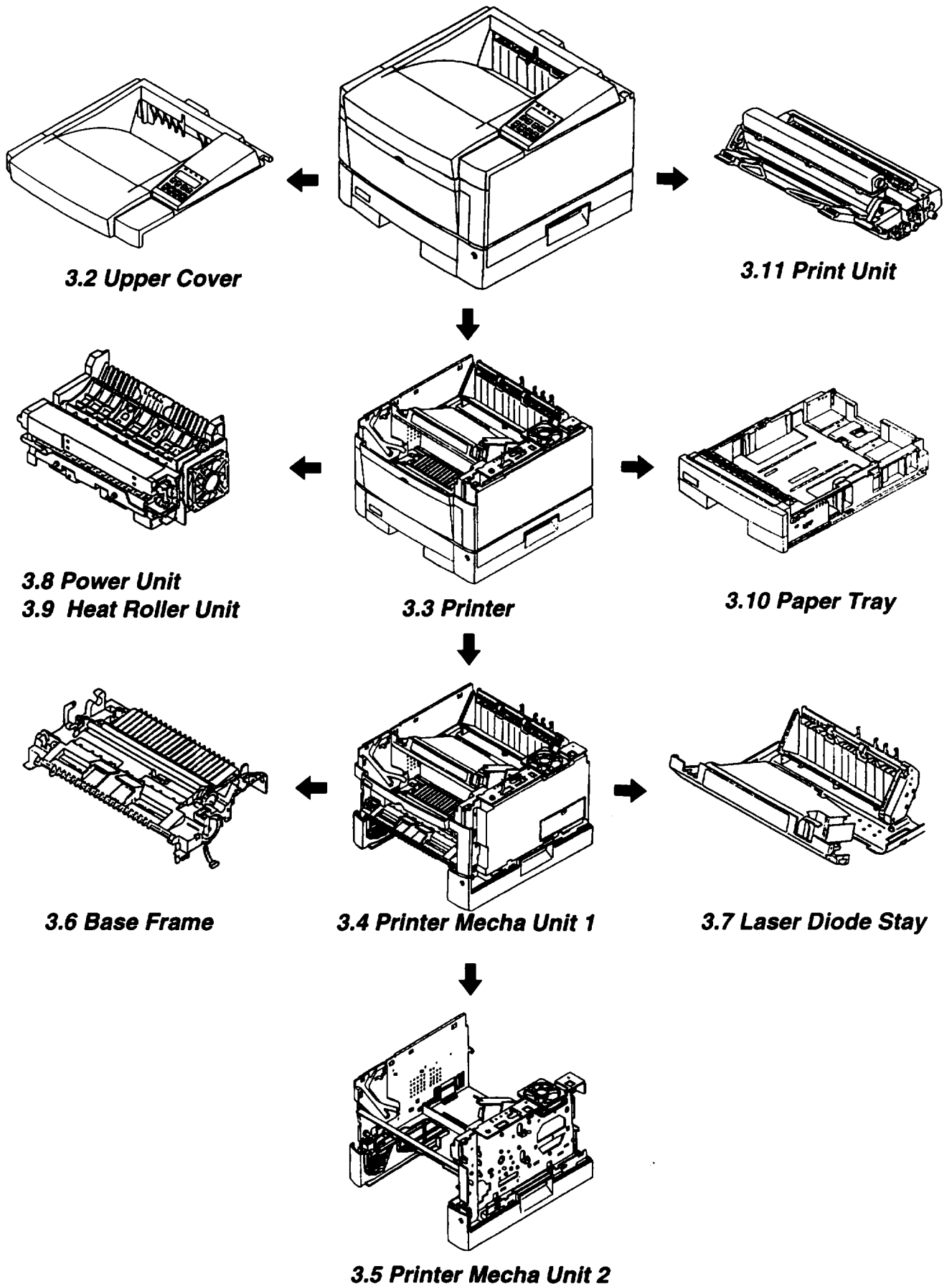
The table below lists standard models of the PrintPartner 14AV printer.

No.	Specification	Logo	PP14V		Remarks
			120	220-240	
1	CA04040-B300	PrintPartner 14AV	○		N-America Letter
2	CA04040-B311	PrintPartner 14AV	○		FCI Letter
3	CA04040-B321	PrintPartner 14AV	○		FCPA Letter
4	CA04040-B331	PrintPartner 14AV	○		Asia A4
5	CA04040-B350	PrintPartner 14AV		○	Europe A4 + Manual
6	CA04040-B361	PrintPartner 14AV		○	FAL A4
7	CA04040-B371	PrintPartner 14AV		○	ASIA A4
8	CA04040-B381	PrintPartner 14AV		○	Europe (*) A4
9	CA04040-B391	—		○	No brand A4
10	CA04040-B396	PrintPartner 14AV		○	Europe Drop-ship
11					
12					
13					
14					
15					
16					
17					
18					
19					
20					

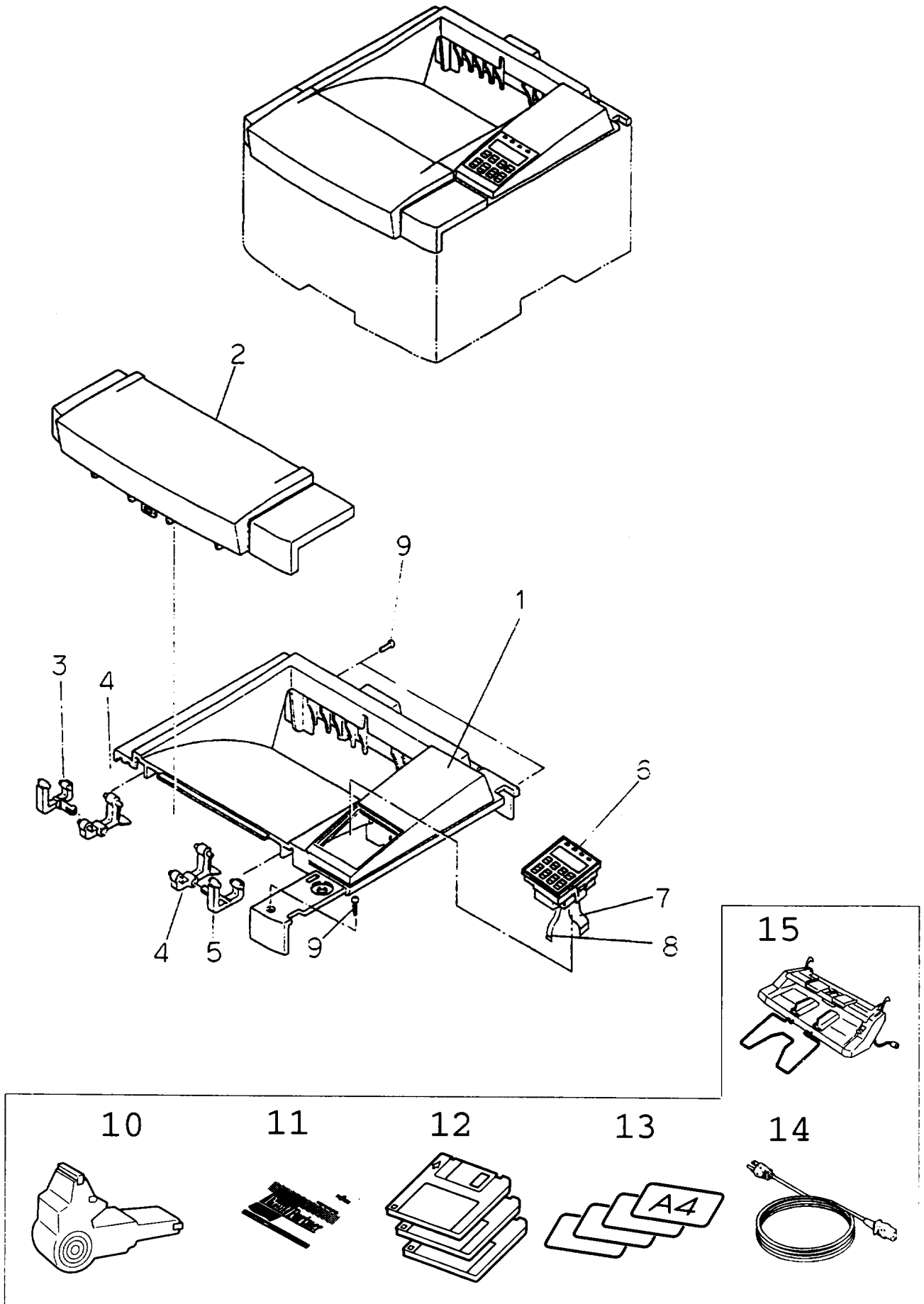
* User's manual and power cord are specified as the local kit.

3. PARTS LIST AND PARTS DRAWING OF PRINTER MECHANISM

3.1 Visual Index of Parts



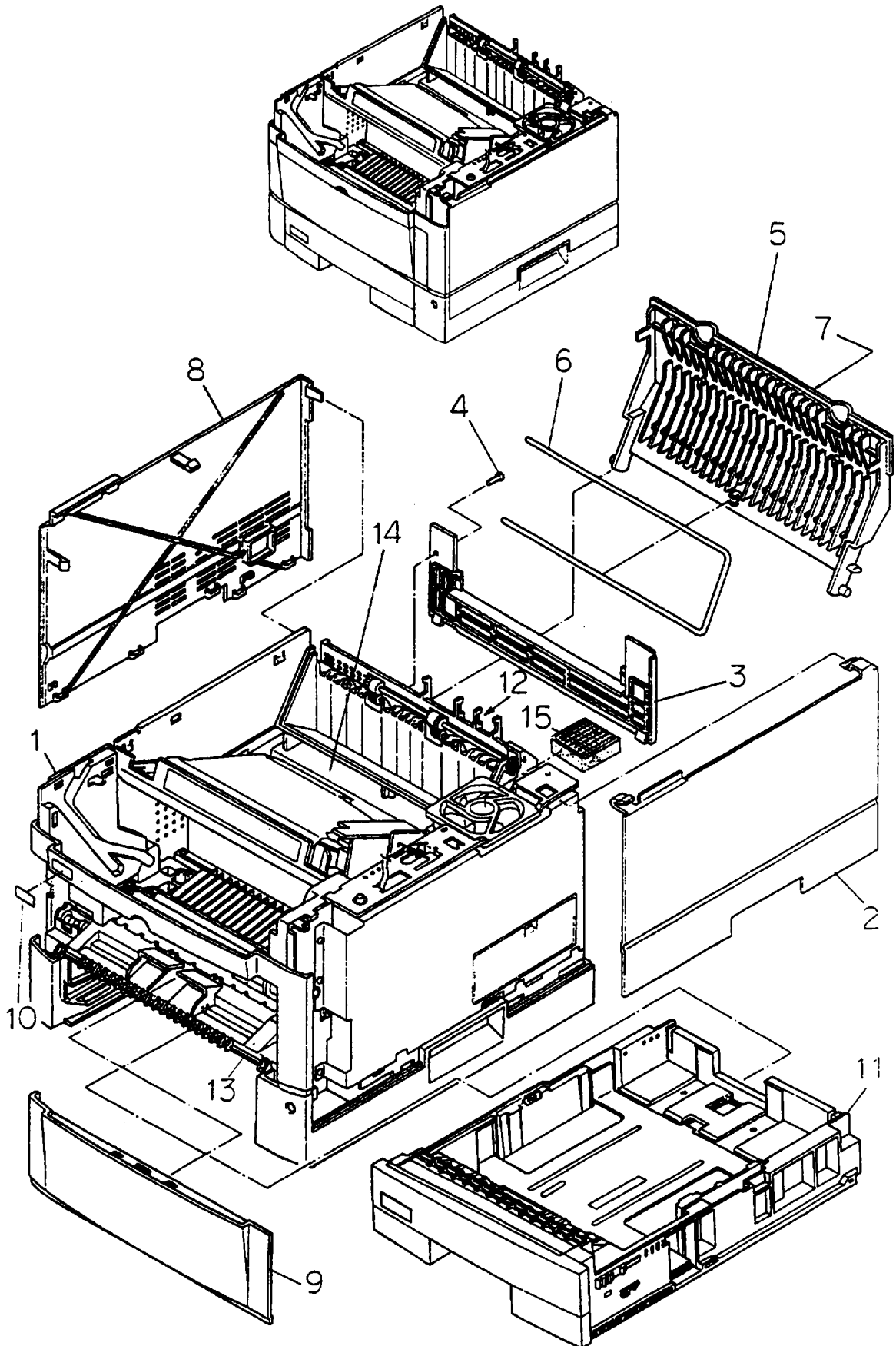
3.2 Upper Cover



3.2 Upper Cover

Index No.	Composition & Quantity				S P	Specification	Parts name (Description)	PP14AV		Remarks
								120	220	
	1					CA04040-B300	PP14AV (CENTRO-120V)	○	~240	N-AMERICA
	1					CA04040-B311	" (CENTRO-120V)	○		FCI
	1					CA04040-B321	" (CENTRO-120V)	○		FCPA
	1					CA04040-B331	" (CENTRO-120V)	○		ASIA
	1					CA04040-B350	" (CENTRO-220~240V)	○		EUROPE
	1					CA04040-B361	" (CENTRO-220~240V)	○		FAL
	1					CA04040-B371	" (CENTRO-220~240V)	○		ASIA
	1					CA04040-B381	" (CENTRO-220~240V)	○		EUROPE
	1					CA04040-B391	" (CENTRO-220~240V)	○		NO-BRAND
	1					CA04040-B396	" (CENTRO-220~240V)	○		EUROPE
1~8	1					CA04040-F550	UPPER COVER ASY	○	○	
1~5		1			*	CA04040-G550	U COVER SUB ASY	○	○	
1			1		@	CA04040-G585	COVER SUB ASY	○	○	
2				1	@	CA02758-Y803	UPPER DOOR	○	○	
3				1	@	CA02758-Y805	UD GUIDE L	○	○	
4				2	@	CA02758-Y806	UD GUIDE R	○	○	
5				1	@	CA02758-Y807	UD GUIDE LL	○	○	
6			1		*	CA04040-0574	OP PANEL	○	○	
7			1		@	CA04040-Y564	OP CABLE	○	○	
8			1		@	CA04040-Y573	VOLUME CABLE	○	○	
9			3		@	F6-SBD3-06121	SCREW	○	○	
		1				CA04040-K300	ACCESSORY	○		N-AMERICA AND FCPA
		1				CA04040-K311	ACCESSORY	○		FCI
		1				CA04040-K331	ACCESSORY	○		ASIA100V
		1				CA04040-K350	ACCESSORY	○		EUROPE
		1				CA04040-K361	ACCESSORY	○		FAL
		1				CA04040-K371	ACCESSORY	○		ASIA200V
		1				CA04040-K381	ACCESSORY	○		EUROPE
		1				CA04040-K391	ACCESSORY	○		NO-BRAND
		1				CA04040-K396	ACCESSORY	○		EUROPE
10		1			@	CA02758-G461	CL BLUSH ASY	○	○	
11		1				C145-E146-EN	USER'S MANUAL	○	○	
12		1			@	CA04040-0901	PP MENU (FLOPPY DISC)	○	○	
		1			@	CA04040-0902	PR DRIVER(FLOPPY DISC)	○	○	
		1			@	CA04040-E901	MARKVISON	○	○	
13		1			@	CA02417-Y720	SIZE LABEL A4	○	○	PAPER TRAY
		1			@	CA02417-Y724	SIZE LABEL LETTER	○	○	PAPER TRAY
		1			@	CA02417-Y725	SIZE LABEL EXECUTIVE	○	○	PAPER TRAY
14		1			@	CA02758-0990	AC CORD SET	○		100-120V
		1			@	CA98001-3771	AC CORD SET (3M)	○		220-240V
		1			@	CA98001-4430	AC CORD SET (2M)	○		220-240V
15		1				CA02758-0880	MULTIFUNCTION FEEDER	○	○	

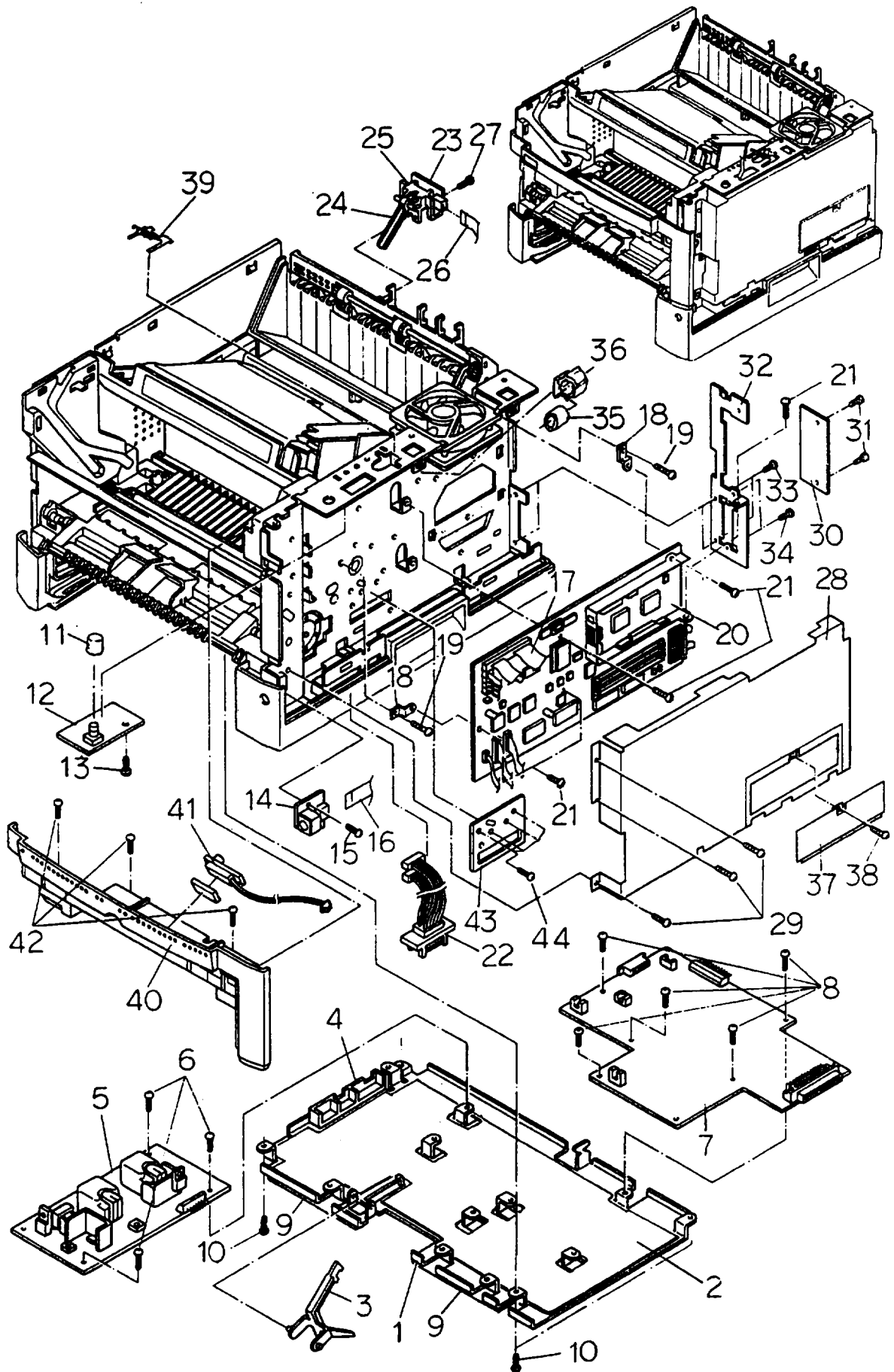
3.3 Printer



3.3 Printer

	Composition & Quantity				S P	Specification	Parts name (Description)	PP14AV		Remarks
								120	220 ~240	
1~14	1					CA04040-C300	PRINTER	○		120V
	1					CA04040-C331	PRINTER	○		120V A4
	1					CA04040-C350	PRINTER		○	220-240V
1	1					CA04040-E300	PRINTER M UNIT	○	○	
2	1				@	CA02758-Y812	SIDE COVER R	○	○	
3	1				@	CA02758-Y814	BACK COVER	○	○	
4	1				@	F6-SBD3-06121	SCREW	○	○	
5~6	1					CA02758-G815	STACKER ASY	○	○	
5		1			@	CA02758-Y815	STACKER	○	○	
6			1		@	CA02758-Y816	REAR GUIDE	○	○	
7	1				@	CA02758-Y818	S-LABEL	○	○	
8	1				@	CA02758-Y811	SIDE COVER L	○	○	
9	1				@	CA02758-Y813	FRONT COVER	○	○	
10	1				@	CA04040-Y853	LOGO LABEL	○	○	
11	1					CA04040-F701	PAPER TRAY	○	○	A4
	1					CA04040-F702	PAPER TRAY	○	○	LETTER
12	1					CA04040-F541	POWER UNIT	○		120V
	1					CA04040-F542	POWER UNIT		○	220-240V
13	1					CA04040-F101	BASE FRAME ASY	○	○	
14	1					CA02758-G121	LD STAY ASY	○	○	
		7				CA02758-0195	TAPPING SCREW	○	○	
15	1				@	CA02758-0126	OZONE FLITER	○	○	

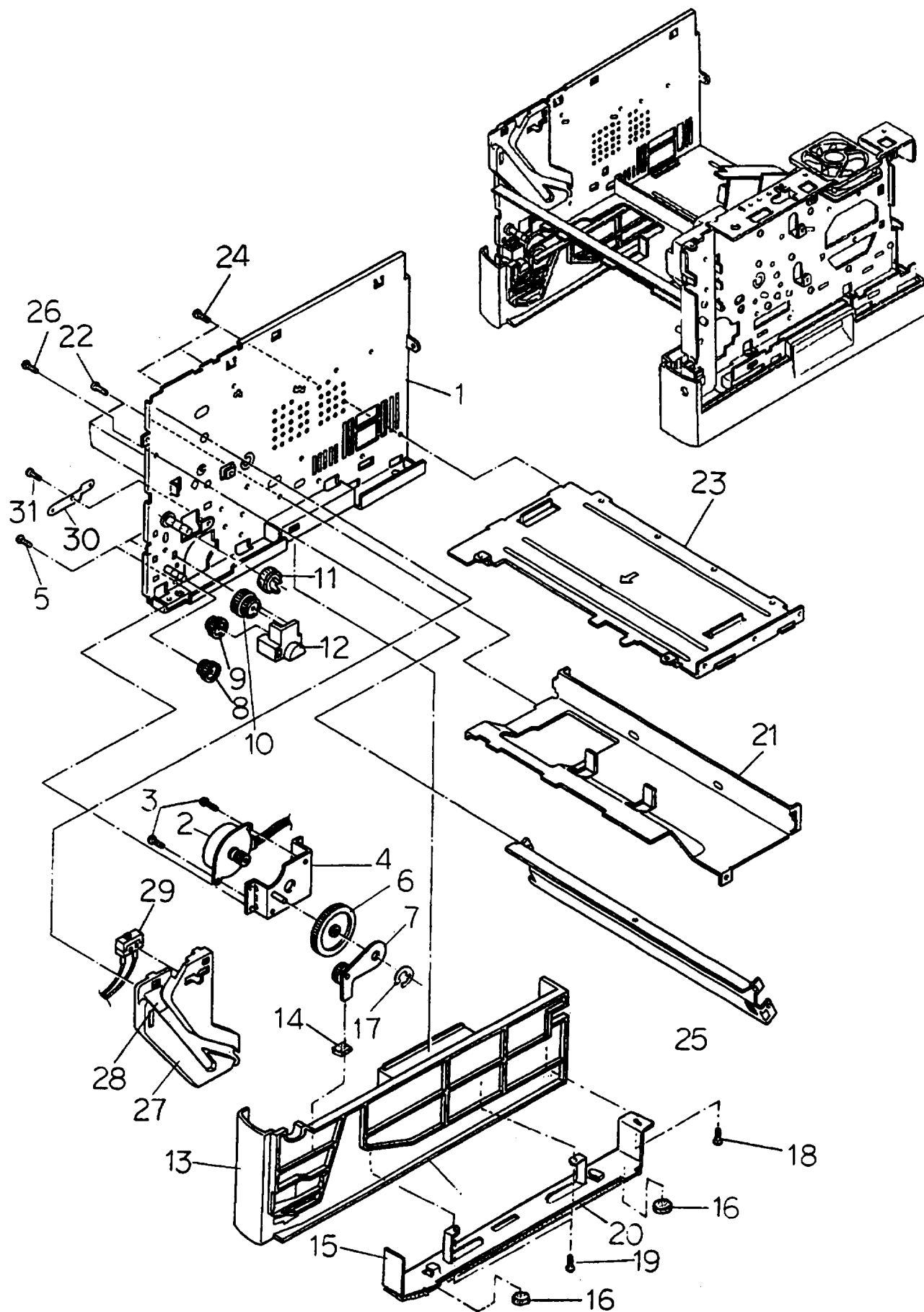
3.4 Printer Mecha Unit 1



3.4 Printer Mecha Unit 1

	Composition & Quantity			S P	Specification	Parts name (Description)	PP14AV		Remarks
							120	220 ~240	
1~9	1				CA02758-G148	HV UNIT	○	○	
1		1		@	CA02758-Y148	BOARD COVER	○	○	
2		1		@	CA02758-Z148	SHEET	○	○	
3		1		@	CA02758-Y765	SENSOR LEVER FE	○	○	
4		1		@	CA02758-Y144	HV GUIDE	○	○	
5		1		*	CA02758-4290	HV BOARD	○	○	
6		3		@	CA02758-0195	TAPPING SCREW	○	○	
7		1		*	CA02758-G170	MECHA BOARD	○	○	
8		5		@	CA02758-0195	TAPPING SCREW	○	○	
9		2		@	CA04040-Y598	SHEET P1	○	○	
10	4			@	F6-SBD3-06121	SCREW	○	○	
11	1			@	D860-1173-X826	KNOB	○	○	
12	1			*	CA04040-G572	VOLUME BOARD	○	○	
13	2			@	CA02758-0195	TAPPING SCREW	○	○	
14	1			*	CA02758-G171	MFF BOARD	○	○	
15	1			@	F6-SBD3-06121	SCREW	○	○	
16	1			@	CA04040-Y568	MFF CABLE	○	○	
17	1			@	CA02758-Y122	LD CABLE	○	○	
18	2			@	CA04040-Y556	METAL FITTING	○	○	
19	2			@	F6-SW2N3-06121	SCREW	○	○	
20	1			*	CA04040-J300	ROM BOARD (PC BOARD)	○	○	
21	5			@	F6-SW2N3-08121	SCREW	○	○	
22	1			@	CA04040-F569	CABLE ASY	○	○	
23~	1			*	CA02758-F696	SFS ASY	○	○	
23		1			CA02758-G696	SFS BOARD ASY	○	○	
24		1			CA02758-Y696	SFS LEVER	○	○	
25		1			CA02758-Y697	SFS COVER	○	○	
26	1			@	CA02758-Y698	SFS CABLE	○	○	
27	1			@	F6-SN2TP3-06	TAPPING SCREW	○	○	
28	1			@	CA04040-G560	SHIELD ASY	○	○	
29	3			@	F6-SW2N3-08121	SCREW	○	○	
30	1			@	CA04040-Y552	SHADE PLATE B	○	○	
31	2			@	F6-SBD3-06121	SCREW	○	○	
32	1			@	CA04040-Y555	BACK COVER B	○	○	
33	2			@	F6-SBD3-06121	SCREW	○	○	
34	2			@	F6-SW2N3-06121	SCREW	○	○	
35	1			@	F3RH11.8-15-7.3	FELIGHT CORE(FERRICO)	○	○	
36	1			@	CA98001-6702	CABLE CLAMP	○	○	
37	1			@	CA04040-Y561	SIMM COVER	○	○	
38	1			@	F6-SW2N3-06121	SCREW	○	○	
39	1			@	CA04040-Y580	FG SPRING PLATE	○	○	
40~	1			@	CA02758-G817	FRONT FRAME ASY	○	○	
40		1			CA02758-Y817	FRONT FRAME	○	○	
41		1		@	CA02758-G360	TS ASY	○	○	
42	3			@	F6-SN2TP3-06	TAPPING SCREW	○	○	
43		1			CA02758-Y024	RF PLATE	○	○	
44		1			CA02758-0196	TAPPING SCREW	○	○	

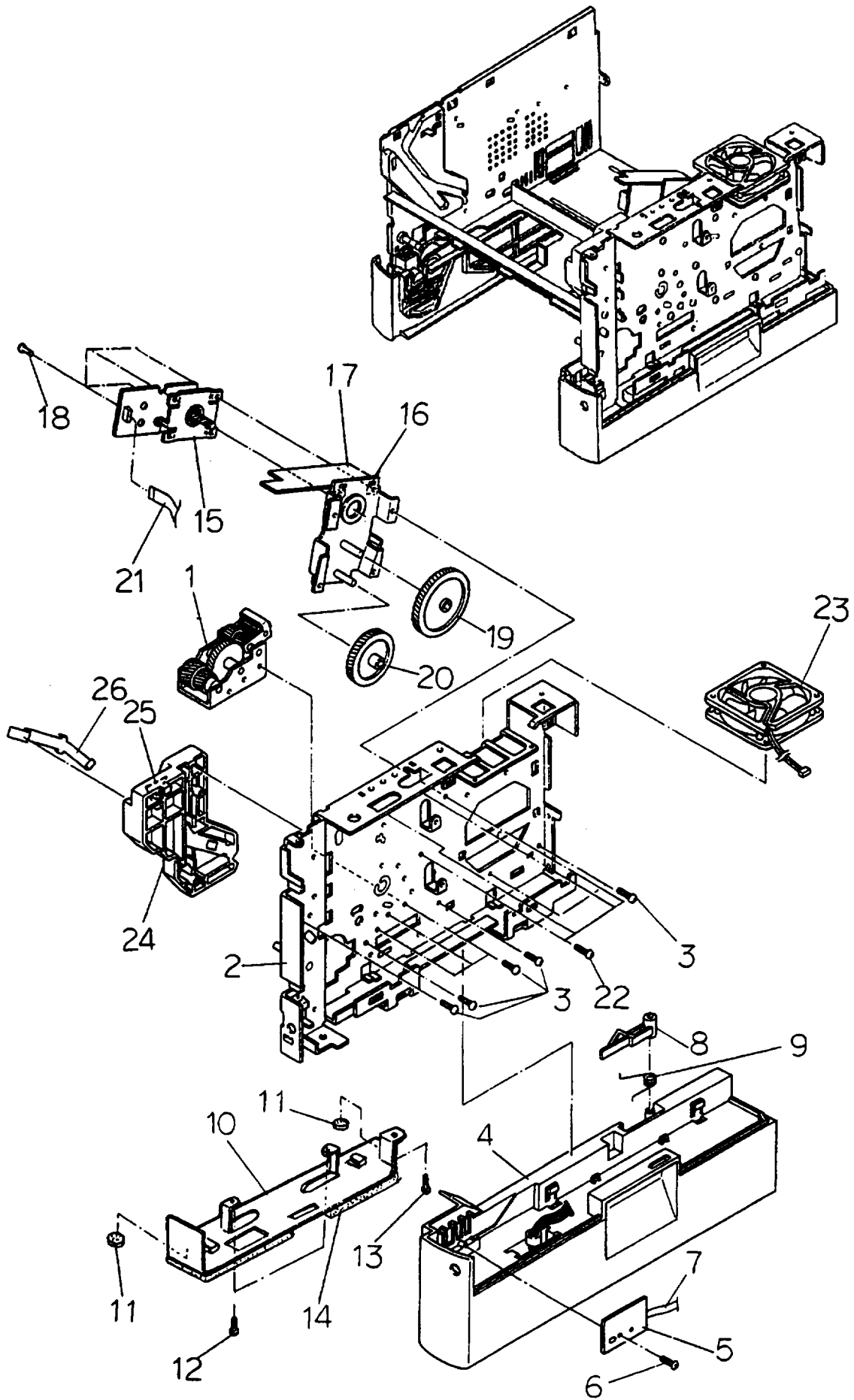
3.5 Printer Mecha Unit 2-1



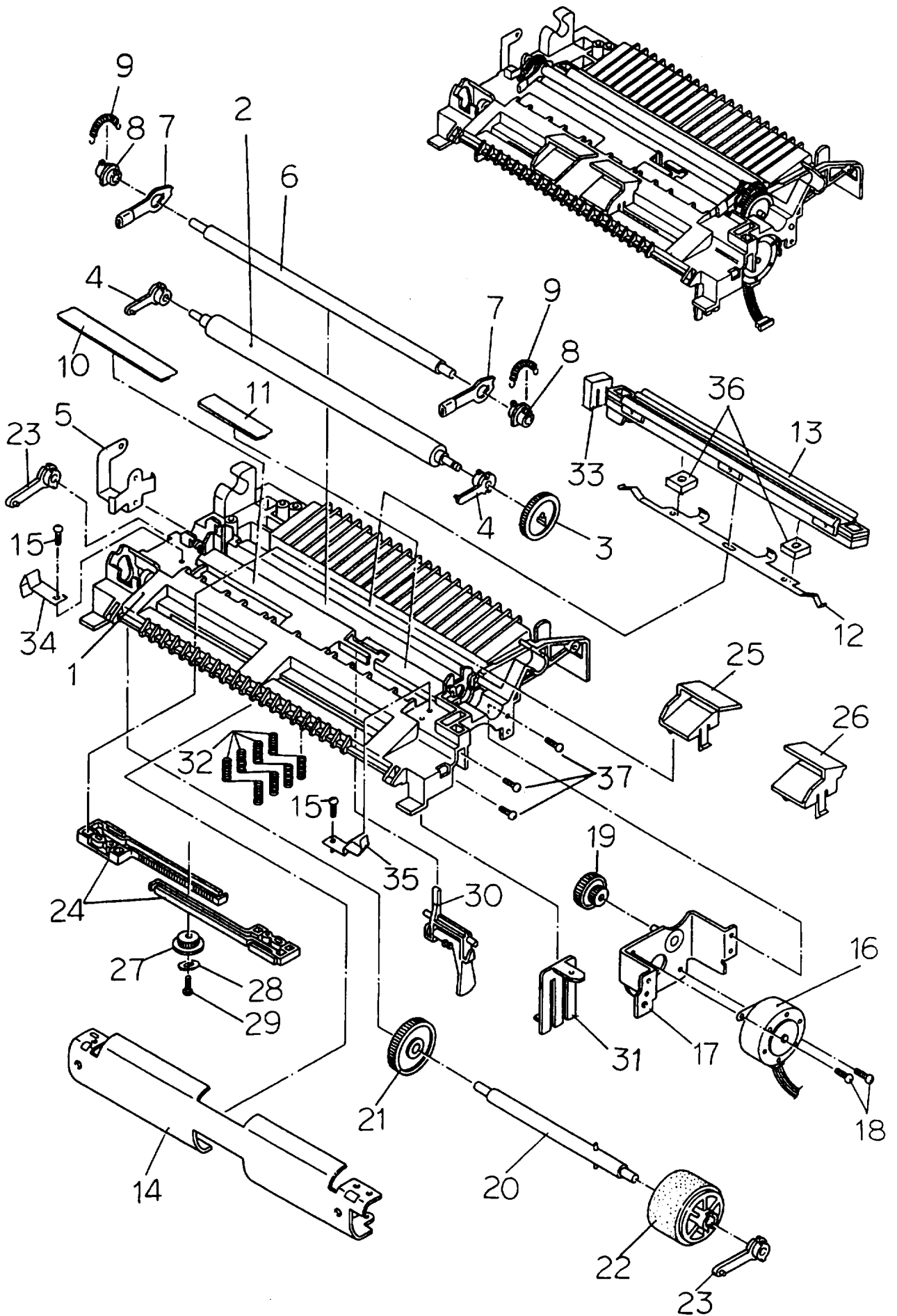
3.5 Printer Mecha Unit 2-1

	Composition & Quantity				S P	Specification	Parts name (Description)	PP14AV		Remarks
								120	220	
1~ 19	1					CA02758-F113	FRAME L ASY	○	○	
1		1				CA02758-G111	FRAME L SUB ASY	○	○	
2~ 4			1			CA02758-F201	P MOTOR ASY	○	○	
2				1	*	CA02758-0201	PICK MOTOR	○	○	
3				2	@	F6-SW2N3-08111	SCREW	○	○	
4				1		CA02758-G202	PM BRACKET ASY	○	○	
5		3				CA02758-0198	TAPPING SCREW	○	○	
6		1			@	CA02758-Y204	GEAR P	○	○	
7		1			@	CA02758-G211	MFF GEAR A ASY	○	○	
8		1				CA02758-Y212	MFF GEAR B	○	○	
9		1				CA02758-Y213	MFF GEAR C	○	○	
10		1				CA02758-Y214	MFF GEAR D	○	○	
11		1				CA02758-Y215	MFF GEAR E	○	○	
12		1				CA02758-Y209	MFF GEAR BRACKET	○	○	
13~ 14			1		@	CA02758-G846	COVER L ASY	○	○	
13				1		CA02758-Y846	LOWER COVER L	○	○	
14				1	@	CA02758-Z216	MFF RUBBERT	○	○	
15~ 16			1		@	CA02758-G848	PLATE L ASY	○	○	
15				1		CA02758-Y848	LOWER PLATE L	○	○	
16				2	@	CA04040-Y825	RUBBER FOOT	○	○	
17			1		@	F6-ER4-S	SNAP RING	○	○	
18		2				CA02758-0195	TAPPING SCREW	○	○	
19		1				F6-SN2TP3-08	TAPPING SCREW	○	○	
20		1				CA02758-Z821	PTGR DUMPER	○	○	
21		1				CA02758-Y105	L TYPE STAY	○	○	
22		3				F6-SBD3-06121	SCREW	○	○	
23		1				CA02758-Y106	LOWER STAY	○	○	
24		3				F6-SBD3-06121	SCREW	○	○	
25		1				CA02758-Y104	STAY F	○	○	
26		2				CA02758-0195	TAPPING SCREW	○	○	
27~ 29			1			CA02758-G114	PR GUIDE L ASY	○	○	
27				1		CA02758-Y114	PR GUIDE L	○	○	
28				1		CA02758-Z114	PRGL LABEL	○	○	
29				1	*	CA02758-G127	COVER OPEN SW	○	○	
30		1			@	CA02758-Y606	FG PLATE P	○	○	
31		1			@	CA02758-0195	TAPPING SCREW	○	○	

3.5 Printer Mecha Unit 2-2



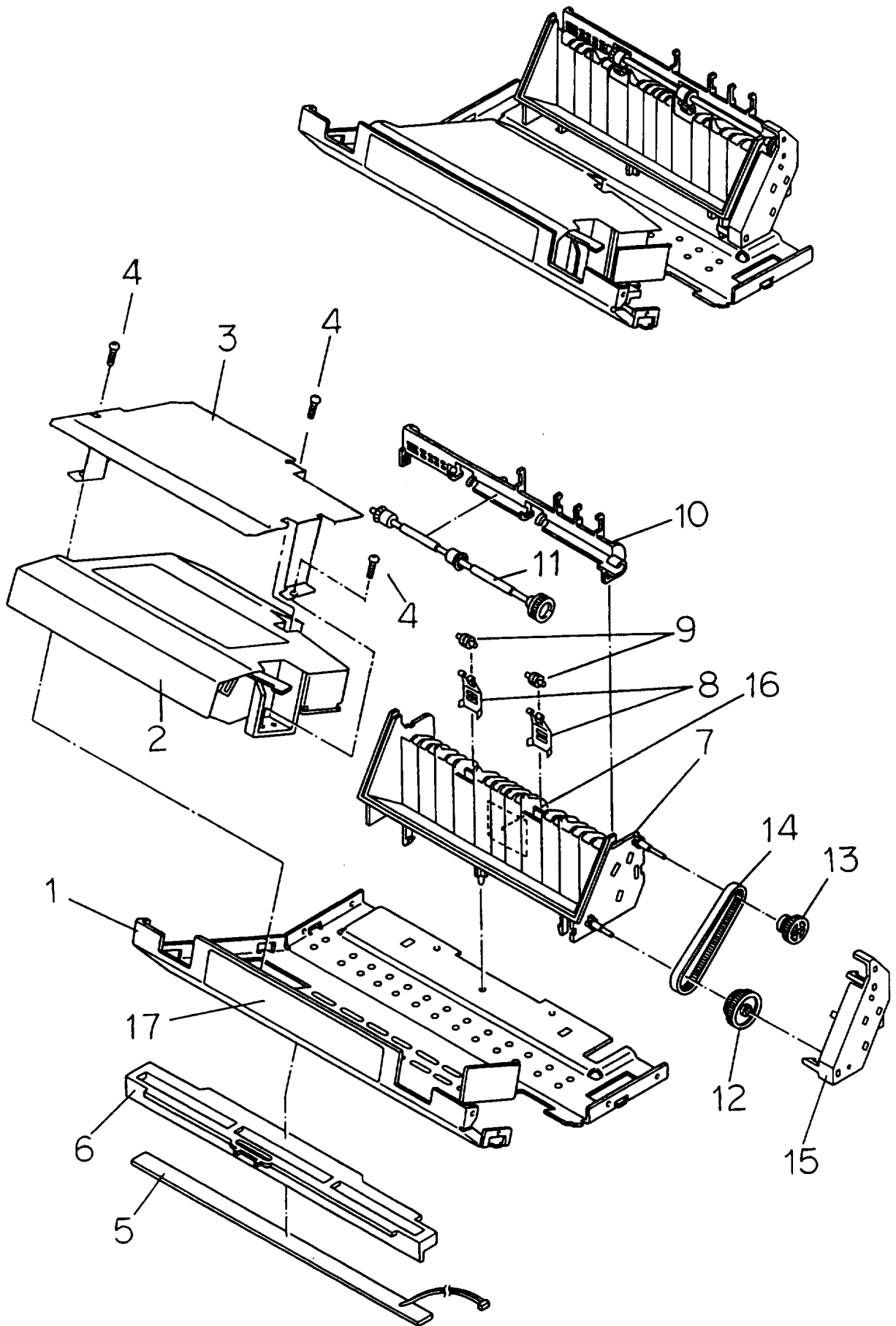
3.6 Base Frame



3.6 Base Frame

	Composition & Quantity				S P	Specification	Parts name (Description)	PP14AV		Remarks
	120	220								
1~ 37	1									
1	1					CA04040-F101	BASE FRAME ASY	○	○	
(2, 3, 10, 11)	1				*	CA02758-Y101	BASE FRAME	○	○	
2	1					CA02758-G612	FEED ROLLER ASY	○	○	
3	1				@	CA02758-G611	FEED ROLLER ASY	○	○	
4	1				@	CA02758-Y613	GEAR F	○	○	
5	1				@	CA02758-Y605	BEARING PF	○	○	
6	1				@	CA02758-Y614	FG PLATE FR	○	○	
7	2				@	CA02758-Y621	RESIST ROLLER	○	○	
8	2				@	CA02758-G627	LEVER ASY	○	○	
9	2				@	CA02758-Y623	BEARING R	○	○	
10	1				@	CA02758-Y625	SPRING R	○	○	
11	1				@	CA02758-Z011	SHEET RE1	○	○	
12	1				@	CA02758-Z012	SHEET RE2	○	○	
13	1				@	CA02758-Z111	FG PLATE T	○	○	
14	1				*	CA02758-F470	TRCG UNIT	○	○	
15	2					CA02758-Y103	PAPER GUIDE F	○	○	
						CA02758-0195	TAPPING SCREW	○	○	
16~ 19	1					CA02758-F221	R MOTOR ASY	○	○	
16		1			@	CA02758-0201	PICK MOTOR	○	○	
17		1				CA02758-G222	RM BRACKET ASY	○	○	
18		2			@	F6-SW2N3-08111	SCREW	○	○	
19		1				CA02758-Y224	GEAR R	○	○	
20	1				@	CA02758-G604	SHAFT P ASY	○	○	
21	1				@	CA02758-0603	PICK GEAR	○	○	
22	1				*	CA02758-G600	ROLLER P ASY	○	○	
23	2				@	CA02758-Y605	BEARING PF	○	○	
24	1				@	CA02758-Y642	RACK	○	○	
25	1				@	CA02758-Y643	GUIDE FL	○	○	
26	1				@	CA02758-Y644	GUIDE FR	○	○	
27	1				@	CA02758-Y641	PINION	○	○	
28	1				@	F6-WM3-111	WASHER	○	○	
29	1				@	F6-SN2TP3-06	TAPPING SCREW	○	○	
30	1				@	CA02758-Y654	SENSOR LEVER 4	○	○	
31	1				@	CA02758-Y729	TRIDENT LEVER	○	○	
32	1					CA02758-Y152	SPRING HV1	○	○	
	1					CA02758-Y153	SPRING HV2	○	○	
	2					CA02758-Y154	SPRING HV3	○	○	
	1					CA02758-Y155	SPRING HV4	○	○	
33	1				@	CA02758-Y025	TRCG STOPPER	○	○	
34	1					CA02758-Y193	P GUIDE FG L	○	○	
35	1					CA02758-Y194	P GUIDE FG R	○	○	
36	2				@	CA02758-Y477	TRCG STOPPER	○	○	
37	3					CA02758-0195	TAPPING SCREW	○	○	

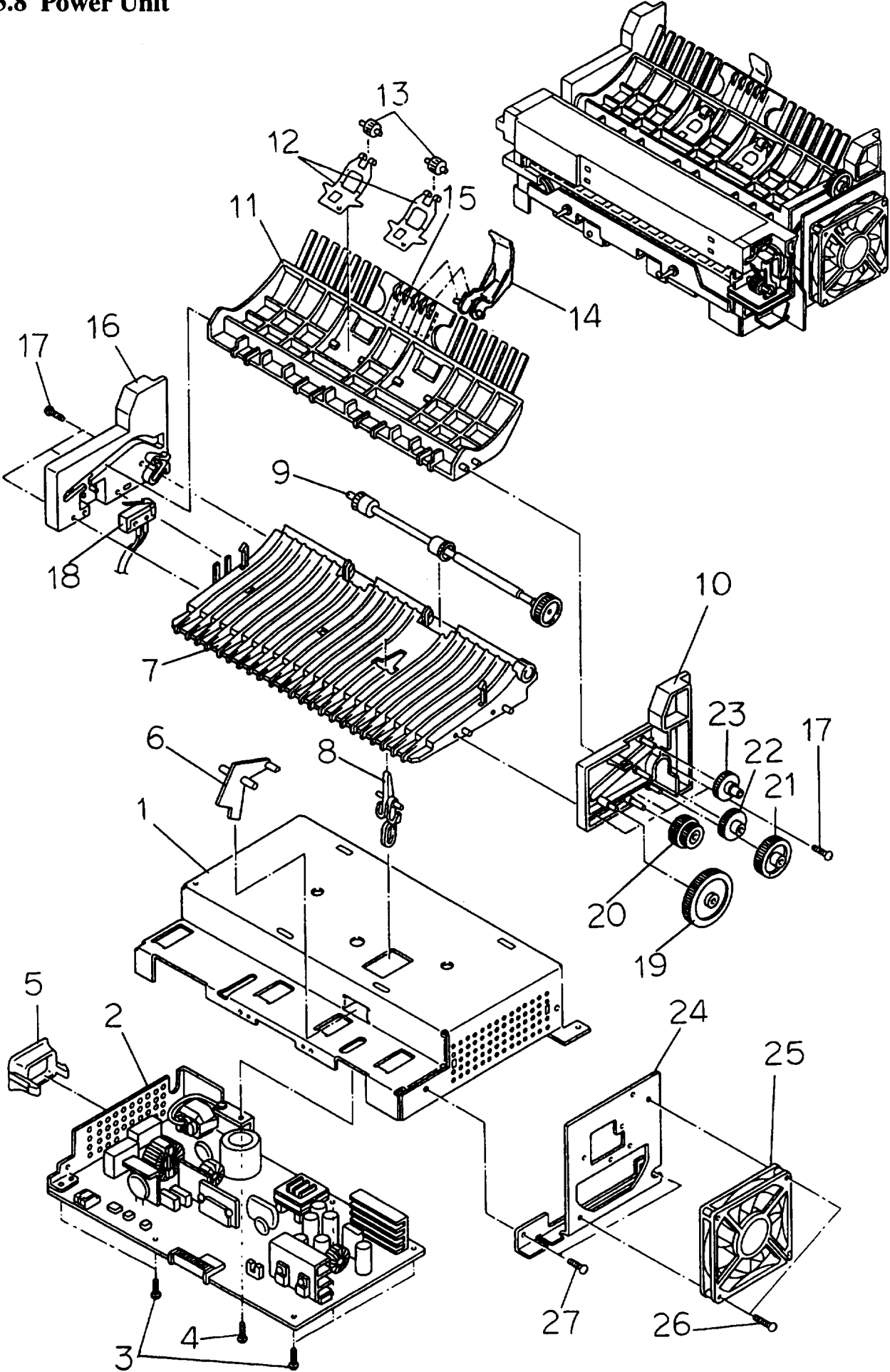
3.7 Laser Diode Stay



3.7 Laser Diode Stay

	Composition & Quantity				S P	Specification	Parts name (Description)	PP14AV		Remarks
								120	220	
1~ 17	1								~240	
1		1				CA02758-G121	LD STAY ASY	○	○	
2		1			*	CA02758-Y121	LD STAY	○	○	
3		1			@	CA02758-0120	LD UNIT	○	○	
4		3			@	CA02758-Y063	LD FG COVER	○	○	
					@	F6-SW2N3-08111	SCREW	○	○	
5~ 6		1			@	CA02758-G123	DCH LED UNIT	○	○	
5			1			CA02758-0123	DCH LED	○	○	
6			1			CA02758-Y124	LED HOLDER	○	○	
7~ 16		1			*	CA02758-F680	FRAME 2 ASY	○	○	
7			1			CA02758-Y680	PAPER FRAME 2	○	○	
8~ 9			2			CA02758-G682	FEED 2 ASY	○	○	
8				1		CA02758-Y682	FEED SPRING 2	○	○	
9				1		CA02758-Y673	PINCH ROLLER	○	○	
10~ 11			1			CA02758-F690	GUIDE ASY	○	○	
10				1	@	CA02758-Y690	ROLLER GUIDE	○	○	
11				1	@	CA02758-G692	ROLLER ASY	○	○	
12			1		@	CA02758-Y684	GEAR 6	○	○	
13			1		@	CA02758-G685	GEAR 7 ASY	○	○	
14			1		@	CA98001-5552	TIMING BELT	○	○	
15			1		@	CA02758-Y688	GEAR COVER	○	○	
16			1		@	CA02758-Y592	LABEL	○	○	CAUTION
17		1			@	CA02758-Y591	LABEL	○	○	CAUTION

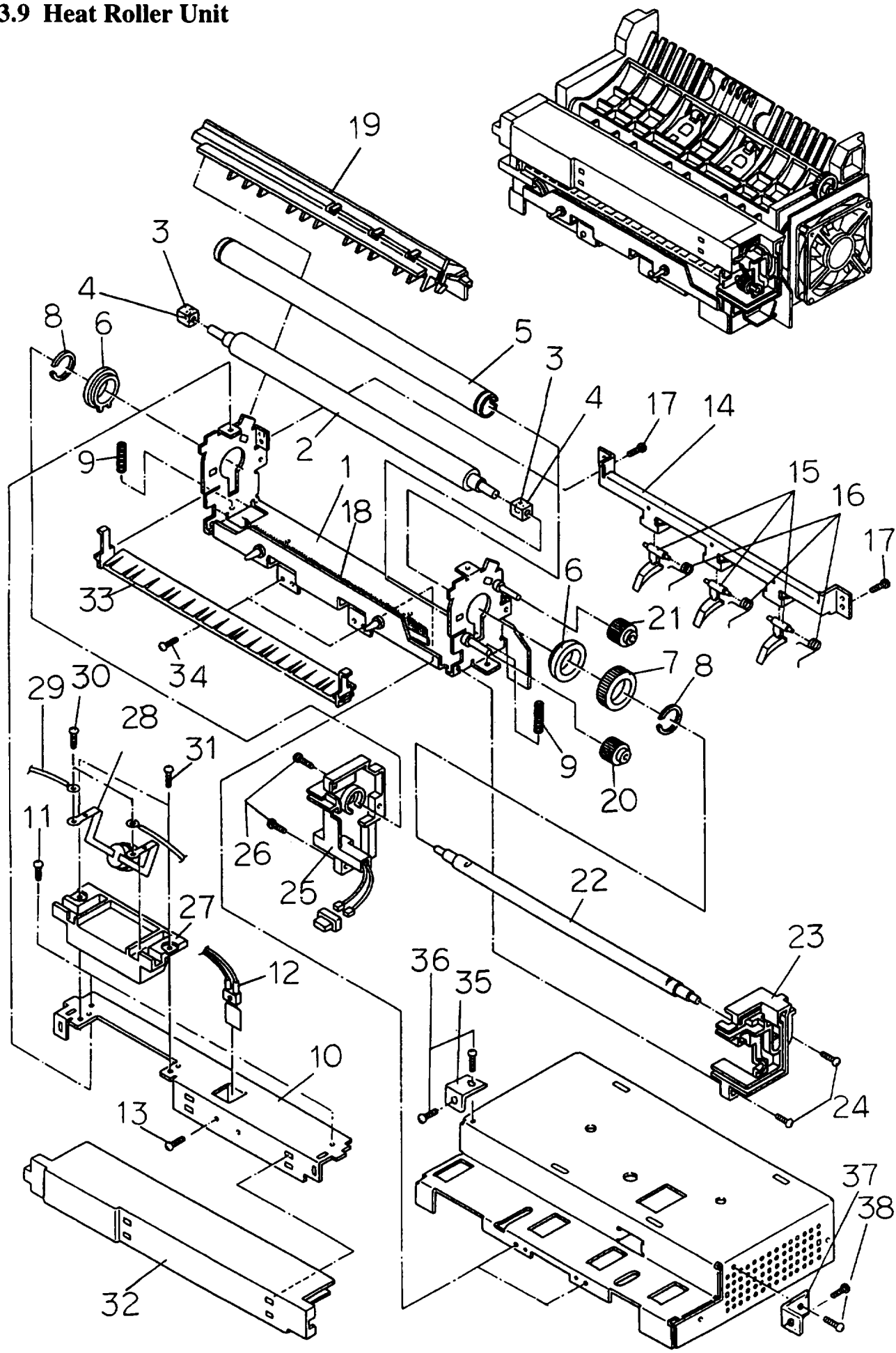
3.8 Power Unit



3.8 Power Unit

	Composition & Quantity				S P	Specification	Parts name (Description)	PP14AV		Remarks
								120	220	
1~ 27	1					CA04040-F541	POWER UNIT	○		120V
	1					CA04040-F542	POWER UNIT		○	220-240V
1		1				CA02758-G138	PB COVER ASY	○	○	
2		1			*	CA02951-4260	POWER BOARD	○		120V
		1			*	CA02951-4265	POWER BOARD	○	○	220-240V
3		5			@	CA02758-0197	TAPPING SCREW	○	○	
4		1			@	F6-SW2N3-06121	SCREW	○	○	
		1			@	CA02758-Y137	SWITCH COVER	○	○	
6		1				CA02758-Y655	SENSOR LEVER 5	○	○	
7~ 18		1				CA02758-F675	PAPER FRAME ASY	○	○	
7			1			CA02758-Y675	PAPER FRAME 1	○	○	
8			1			CA02758-Y679	SENSOR LEVER 6	○	○	
9			1			CA02758-G692	ROLLER ASY	○	○	
10			1			CA02758-Y676	SIDE FRAME LP	○	○	
11~ 15			1		@	CA02758-F670	PAPER GUIDE ASY	○	○	
11				1		CA02758-Y670	PAPER GUIDE	○	○	
12~ 13				2		CA02758-G672	FEED 1 ASY	○	○	
12				1	@	CA02758-Y672	FEED SPRING 1	○	○	
13				1	@	CA02758-Y673	PINCH ROLLER	○	○	
14				1		CA02758-Z671	STACK LEVER	○	○	
15				1	@	CA02758-Y671	P LABEL	○	○	
16		1				CA02758-Y677	SIDE FRAME RP	○	○	
17		6				F6-SN2TP3-08	TAPPING SCREW	○	○	
18		1				CA02758-G678	SWITCH ASY	○	○	
19		1			@	CA02758-Y661	GEAR 1	○	○	
20		3			@	CA02758-Y662	GEAR 2	○	○	
21		1			@	CA02758-Y663	GEAR 3	○	○	
22		1			@	CA02758-Y664	GEAR 4	○	○	
23		1			@	CA02758-Y665	GEAR 5	○	○	
24		1			@	CA02758-Y668	FAN BRACKET	○	○	
25		1			*	CA02758-G128	FAN ASY	○	○	
26		2			@	F6-SW2N3-20111	SCREW	○	○	
27		2			@	CA02758-0195	TAPPING SCREW	○	○	

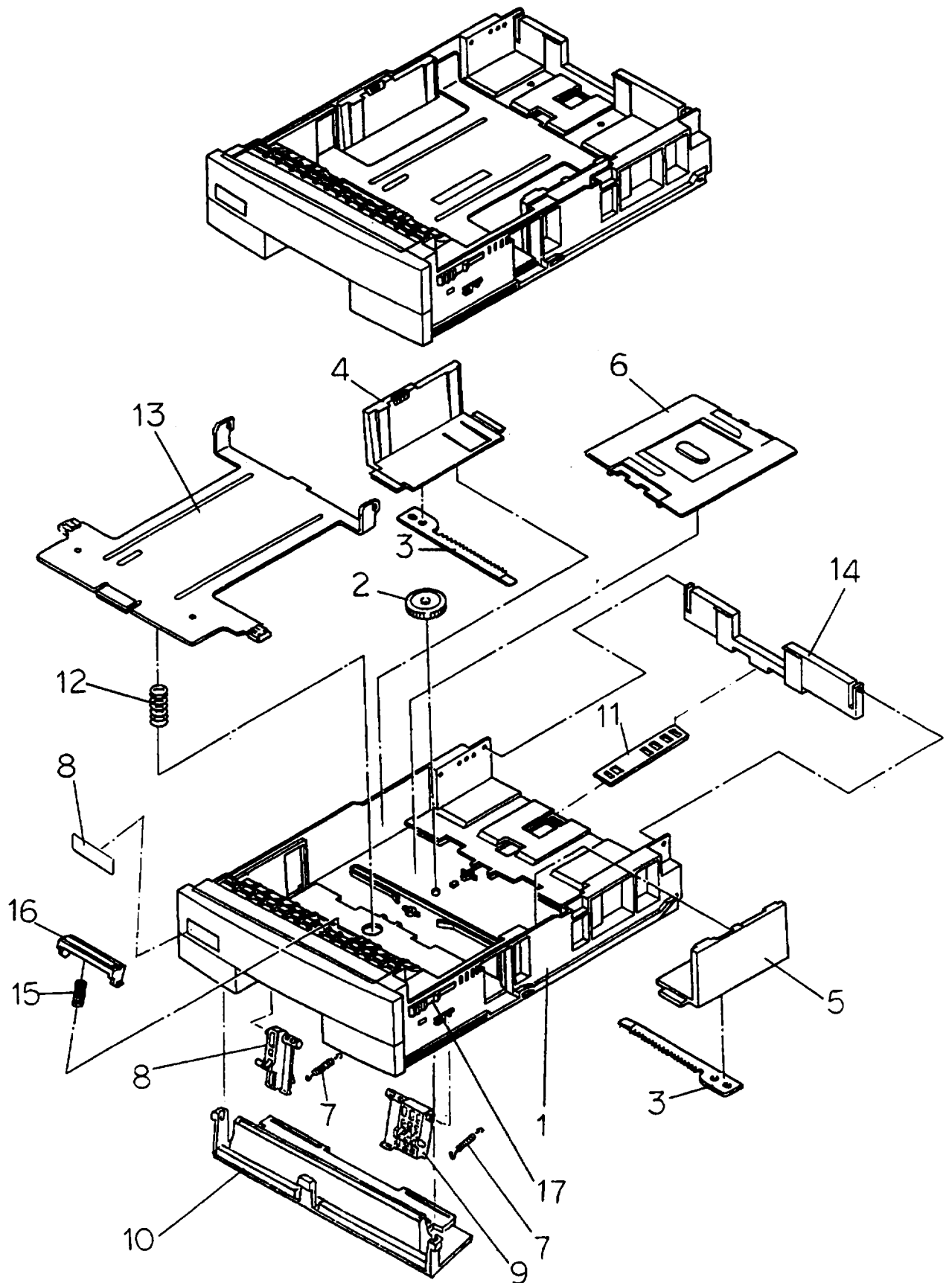
3.9 Heat Roller Unit



3.9 Heat Roller Unit

	Composition & Quantity				S P	Specification	Parts name (Description)	PP14AV		Remarks
								120	220	
1~ 38	1					CA02758-F501	HR UNIT	○	○	120V
	1					CA02758-F502	HR UNIT	○	○	220-240V
1~ 26		1				CA02758-G501	HR SUB UNIT	○	○	120V
		1				CA02758-G502	HR SUB UNIT	○	○	220-240V
1~ 18			1			CA02758-G511	HR BASE UNIT	○	○	
1				1		CA02758-G519	HR FRAME ASY 1	○	○	
2				1		CA02758-G530	BU ROLLER ASY	○	○	
3				2		CA02758-Z531	BEARING BR	○	○	
4				2		CA02758-6511	BEARING	○	○	
5				1		CA02758-Y551	HEAT ROLLER	○	○	
6				2		CA02758-Y532	BEARING HR	○	○	
7				1		CA02758-Y533	GEAR HR	○	○	
8				2		CA02758-Y535	RING HR	○	○	
9				2		CA02758-Y534	SPRING BR	○	○	
10				1		CA02758-Y541	HR FRAME U	○	○	
11				2		CA02758-0195	TAPPING SCREW	○	○	
12				1		CA02758-0543	THERMISTOR ASY	○	○	
13				1		CA02758-0199	TAPPING SCREW	○	○	
14~ 16				1		CA02758-G560	SEPARATOR ASY	○	○	
14				1	1	CA02758-Y560	PLATE SP	○	○	
15				3	3	CA02758-Y561	SEPARATOR	○	○	
16				3	3	CA02758-Y562	SPRING SP	○	○	
17				2		CA02758-0195	TAPPING SCREW	○	○	
18				1		CA02417-0452	BRUSH	○	○	
19			1			CA02758-Y571	HR COVER R	○	○	
20			1			CA02758-Y538	GEAR HG1	○	○	
21			1			CA02758-Y539	GEAR HG2	○	○	
22			1			CA02758-0511	HALOGEN LAMP	○	○	120V
			1			CA02758-0512	HALOGEN LAMP	○	○	220-240V
23			1			CA02758-Y577	HR COVER SR	○	○	
24			2			CA02758-0195	TAPPING SCREW	○	○	
25			1			CA02758-Y573	COVER SL	○	○	
26			2			CA02758-0195	TAPPING SCREW	○	○	
27~ 28		1				CA02758-G581	TH HOLDER ASY	○	○	
27			1			CA02758-Y581	HOLDER	○	○	
28			1			CA02758-0582	THERMOSTAT ASY	○	○	
29		1				CA02758-0584	HR CABLE ASY	○	○	
30		2				F6-SW2N3-06121	SCREW	○	○	
31		2				CA02758-0195	TAPPING SCREW	○	○	
32		1			@	CA02758-Y579	HR COVER F	○	○	
33		1			@	CA98001-5557	CONNECTOR	○	○	
34		1			@	CA02758-G537	PAPER GUIDE HR	○	○	
35	1					CA02758-Z525	PLATE L	○	○	
36	2					CA02758-0195	TAPPING SCREW	○	○	
37	1					CA02758-Z526	PLATE R	○	○	
38	2					CA02758-0195	TAPPING SCREW	○	○	

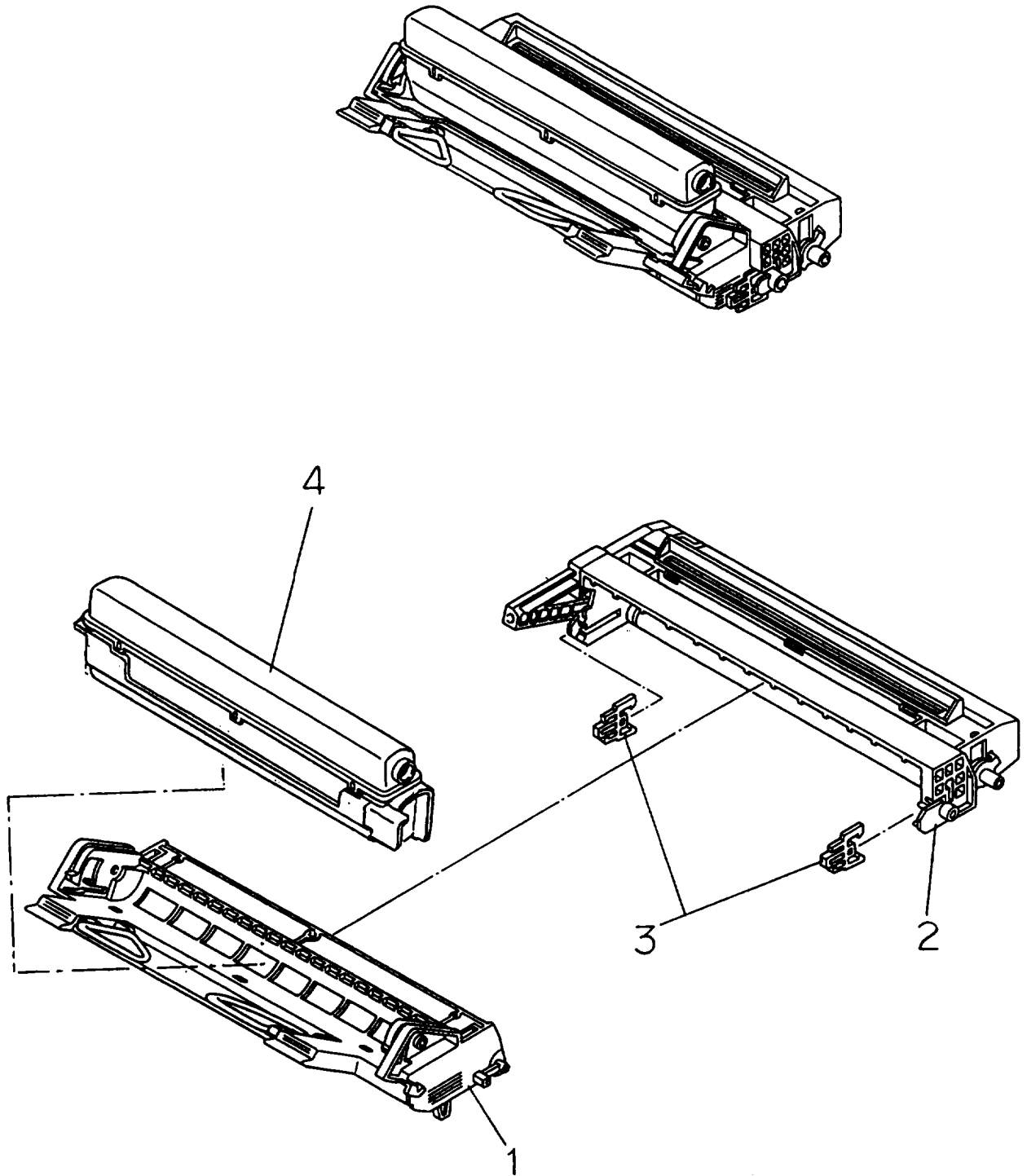
3.10 Paper Tray



3.10 Paper Tray

	Composition & Quantity				S P	Specification	Parts name (Description)	PP14AV		Remarks
								120	220	
1~ 18	1					CA04040-F701 CA04040-F702	PAPER TRAY PAPER TRAY	○ ○	○ ○	A4 LETTER
	1	1				@ CA04040-G701	PAPER TRAY	○ ○	○ ○	
	2	1				@ CA04040-Y725	PINION	○ ○	○ ○	
	3	2				@ CA04040-Y726	RACK	○ ○	○ ○	
	4	1				@ CA04040-Y721	PAPER GUIDE L	○ ○	○ ○	
	5	1				@ CA04040-G722	GUIDE R ASY	○ ○	○ ○	
	6	1				@ CA04040-Y727	COVER UG	○ ○	○ ○	
	7	2				@ CA04040-Z714	SPRING	○ ○	○ ○	
	8	1				@ CA04040-Y714	HOLDER L	○ ○	○ ○	
	9	1				@ CA04040-Y715	HOLDER R	○ ○	○ ○	
	10	1				@ CA04040-Y717	LOWER GUIDE	○ ○	○ ○	
	11	1				@ CA04040-Y719	PLATE			
	12	1				@ CA04040-Y713	SPRING	○ ○	○ ○	
	13	1				@ CA04040-G711	PLATE ASY	○ ○	○ ○	
	14	1				@ CA04040-Y723	PAPER GUIDE E	○ ○	○ ○	
	15	1				@ CA02417-Y708	HOLDER SPRING	○ ○	○ ○	
	16	1				@ CA04040-G730	SEPARATOR	○ ○	○ ○	
	17	1				@ CA02758-Y719	P SIZE LEVER	○ ○	○ ○	
	18	1				@ CA02417-Y720	SIZE LABEL	○ ○	○ ○	A4
		1				@ CA02417-Y724	SIZE LABEL	○ ○	○ ○	LETTER

3.11 Print Unit



3.11 Print Unit

	Composition & Quantity				S P	Specification	Parts name (Description)	PP14AV		Remarks
								120	220	
1 ~4	1					CA02758-E400	PRINT UNIT	○	○	
1		1				CA02758-F300	DEV. UNIT	○	○	
2		2				CA02758-F400	DRUM UNIT	○	○	
3		2				CA02758-G371	P LOCK ASY	○	○	
4	1					CA02758-E300	TONER BOTTLE	○	○	

FUJITSU